

ANDERSEN CORPORATION

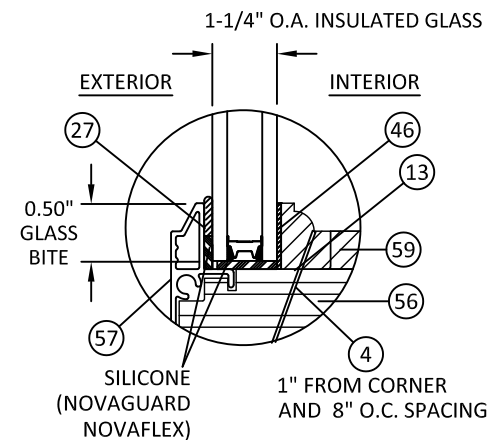
E-SERIES SPECIALTY FIXED WINDOW (NON-HVHZ)(NON-IMPACT)



100 FOURTH AVE NORTH
BAYPORT, MN 55003-1096
PH: (651) 264-5150 FX: (651) 264-5485

GENERAL NOTES:

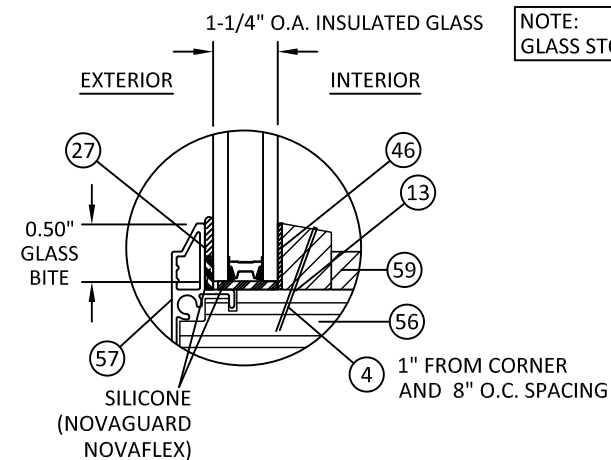
- THE PRODUCT SHOWN HEREIN IS DESIGNED AND MANUFACTURED TO COMPLY WITH THE CURRENT FLORIDA BUILDING CODE (FBC), **EXCLUDING** HVHZ AND HAS BEEN EVALUATED ACCORDING TO THE FOLLOWING:
 - AAMA/WDMA/CSA 101/I.S.2/A440-17
 - ASTM E330-14(21)
- ADEQUACY OF THE EXISTING STRUCTURAL CONCRETE/MASONRY, 2X AND METAL STUD FRAMING AS A MAIN WIND FORCE RESISTING SYSTEM CAPABLE OF WITHSTANDING AND TRANSFERRING APPLIED PRODUCT LOADS TO THE FOUNDATION IS THE RESPONSIBILITY OF THE ENGINEER OR ARCHITECT OF RECORD FOR THE PROJECT OF INSTALLATION.
- 1X AND 2X BUCKS (WHEN USED) SHALL BE DESIGNED AND ANCHORED TO PROPERLY TRANSFER ALL LOADS TO THE STRUCTURE. BUCK DESIGN AND INSTALLATION IS THE RESPONSIBILITY OF THE ENGINEER OR ARCHITECT OF RECORD FOR THE PROJECT OF INSTALLATION.
- THE INSTALLATION DETAILS DESCRIBED HEREIN ARE GENERIC AND MAY NOT REFLECT ACTUAL CONDITIONS FOR A SPECIFIC SITE. IF SITE CONDITIONS CAUSE INSTALLATION TO DEVIATE FROM THE REQUIREMENTS DETAILED HEREIN, A LICENSED ENGINEER OR ARCHITECT SHALL PREPARE SITE SPECIFIC DOCUMENTS FOR USE WITH THIS DOCUMENT.
- APPROVED IMPACT PROTECTIVE SYSTEM **IS REQUIRED** TO PROTECT THIS PRODUCT IN AREAS REQUIRING IMPACT RESISTANCE.
- WINDOW FRAME MATERIAL: *ALUMINUM CLAD & WOOD.*
- MULLION MATERIAL: *LAMINATED VENEER LUMBER.*
- GLASS SHALL MEET THE REQUIREMENTS OF ASTM E1300. SEE GLAZING DETAILS ON SHEET 1.
- DESIGNATIONS "X" AND "O" STAND FOR THE FOLLOWING:
X: OPERABLE PANEL
O: FIXED PANEL
- CUSTOM SIZES AVAILABLE UPON REQUEST. CUSTOM DESIGN PRESSURE WILL BE ASSIGNED EQUAL TO NEXT LARGER STANDARD SIZE.



GLAZING DETAIL 1
SHOWN WITH COLONIAL GLASS STOP

- GLAZING NOTES:**
- GLASS TYPE & THICKNESS SHALL COMPLY WITH ASTM E1300 REQUIREMENTS AS WELL AS APPLICABLE SAFETY GLAZING REQUIREMENTS PER THE FBC. TEMPER AND SAFETY GLAZING REQUIREMENTS SHALL BE REVIEWED ON A SITE SPECIFIC BASIS.
 - SETTING BLOCK DUROMETER HARDNESS OF 70-90 (SHORE A) AS REFERENCED IN FBC CHAPTER 24.
 - SETTING BLOCKS TO BE LOCATED AT 1/4 SPAN LENGTH FOR GLASS WIDER THAN 36" AS PER FBC CHAPTER 24.
 - D.L.O. AND DESIGN PRESSURES MAY NOT EXCEED MAX VALUES IN DESIGN PRESSURE TABLES ON SHEET 1.

NOTE:
GLASS STOPS ARE INTERCHANGEABLE.



GLAZING DETAIL 2
SHOWN WITH CONTEMPORARY GLASS STOP

WINDOW TYPE	CONFIGURATION	OVERALL AUXILIARY WINDOW SIZE		OVERALL D.L.O. DIMENSION		GLASS TYPE	DESIGN PRESSURE (PSF)	
		WIDTH (IN.)	HEIGHT (IN.)	WIDTH (IN.)	HEIGHT (IN.)		POS.	NEG.
SINGLE	'O'	60.0	96.0	56.13	92.13	G1,G2	+75	-75
SINGLE	'O'	54.0	144.0	50.13	140.13	G1,G2	+55	-55
MULLED	'OO' OR 'O/O'	60.0	96.0	56.13	92.13	G1,G2	+75	-75
MULLED	'OO' OR 'O/O'	96.0	60.0	92.13	56.13	G1,G2	+75	-75
MULLED	'OO' OR 'O/O'	60.0	60.0	56.13	56.13	G1,G2	+70	-70
MULLED	'OO' OR 'O/O'	40.0	60.0	36.13	56.13	G1,G2	+56	-56

NOTES: VINYL NAILING FLANGE INSTALLATIONS ARE LIMITED TO UNITS EQUAL TO OR LESS THAN DP +50/-50 AND SINGLE UNITS OR ASSEMBLIES LESS THAN 30 SQUARE FEET.

SHEET	SHEET DESCRIPTION
1	GENERAL NOTES AND GLAZING DETAILS
2	ELEVATIONS AND QUALIFIED CONFIGURATIONS
3	MULLED ELEVATIONS
4	ANCHOR LAYOUTS
5	MULLED ANCHOR LAYOUTS
6	VERTICAL SECTIONS
7	MULLION VERTICAL SECTIONS
8	HORIZONTAL SECTIONS
9	MULLION HORIZONTAL SECTIONS
10	ANCHOR DETAILS
11	COMPONENTS AND BILL OF MATERIALS
12	ZERO MULLION LOADS TABLE - ONE WAY
13	ZERO MULLION LOADS TABLE - TWO WAY
14	1/2" x 3-1/2" MULLION LOADS TABLE - ONE WAY
15	1/2" x 3-1/2" MULLION LOADS TABLE - TWO WAY
16	1/2" x 5-3/16" MULLION LOADS TABLE - ONE WAY
17	1/2" x 5-3/16" MULLION LOADS TABLE - TWO WAY
18	3/4" x 3-1/2" MULLION LOADS TABLE - ONE WAY
19	3/4" x 3-1/2" MULLION LOADS TABLE - TWO WAY
20	3/4" x 5-3/16" MULLION LOADS TABLE - ONE WAY
21	3/4" x 5-3/16" MULLION LOADS TABLE - TWO WAY
22	1" x 3-1/2" MULLION LOADS TABLE - ONE WAY
23	1" x 3-1/2" MULLION LOADS TABLE - TWO WAY
24	1" x 5-3/16" MULLION LOADS TABLE - ONE WAY
25	1" x 5-3/16" MULLION LOADS TABLE - TWO WAY
26	2" x 3-1/2" MULLION LOADS TABLE - ONE WAY
27	2" x 3-1/2" MULLION LOADS TABLE - TWO WAY
28	2" x 5-3/16" MULLION LOADS TABLE - ONE WAY
29	2" x 5-3/16" MULLION LOADS TABLE - TWO WAY

TITLE: E-SERIES SPECIALTY FIXED WINDOW (NON-HVHZ) (NON-IMPACT)

GENERAL NOTES AND GLAZING DETAILS

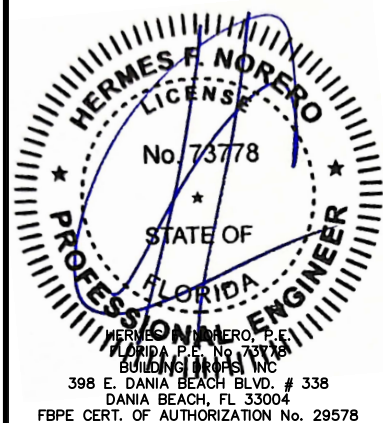
PREPARED BY:

BUILDING DROPS, INC.
398 E. DANIA BEACH BLVD., STE. 338
DANIA BEACH, FL 33004
PH: (954) 399-8478
FAX: (954) 744-4738
WEB: www.buildingdrops.com



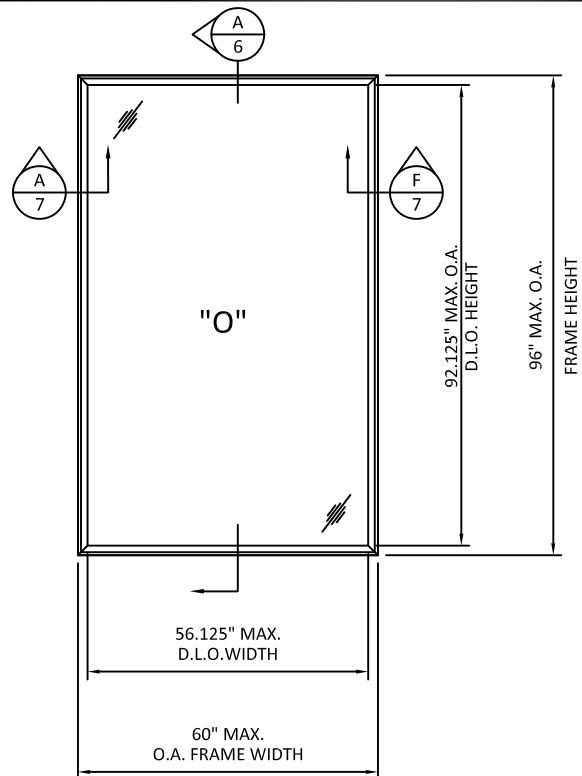
REMARKS	BY	DATE
1/2" LVL MULL ADDITION	HR	4.3.19
ADDED MULL & DP CHARTS	LL	7.15.19
7TH FBC CODE CHANGE	NUS	6.28.20
2023 FBC CODE CHANGE	MS	5/31/23

THE INSTALLATION DETAILS DESCRIBED HEREIN ARE GENERIC AND MAY NOT REFLECT ACTUAL CONDITIONS FOR A SPECIFIC SITE. IF SITE CONDITIONS CAUSE INSTALLATION TO DEVIATE FROM THE REQUIREMENTS DETAILED HEREIN, A LICENSED ENGINEER OR ARCHITECT SHALL PREPARE SITE SPECIFIC DOCUMENTS FOR USE WITH THIS DOCUMENT.

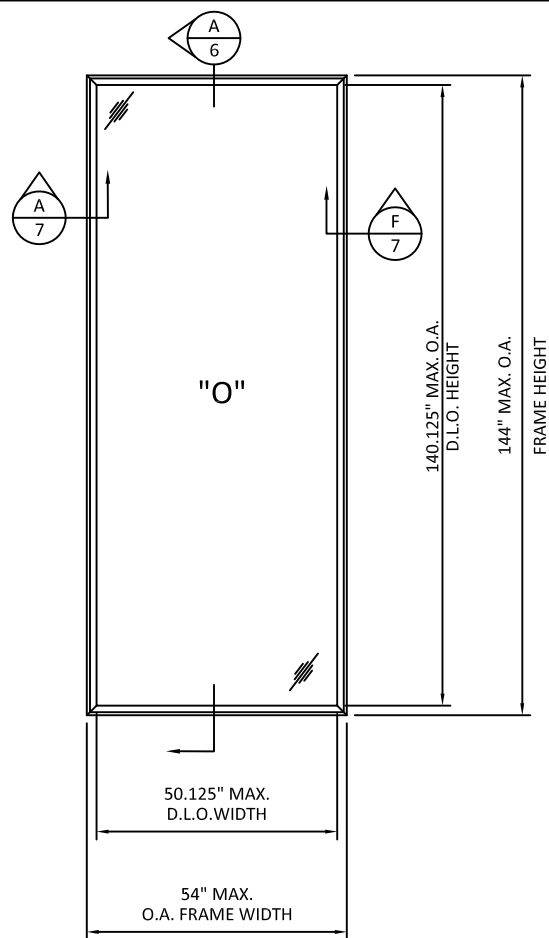


FL #:	FL24230
DATE:	10.12.17
DWG. BY:	AG
CHK. BY:	HFN
SCALE:	NTS
DWG. #:	AWD208
SHEET:	1

6/8/2023 5:57 PM s:\projects\andersen\windows\cc-23-0406-fbc-2023 code change (8th edition)\124230\dwg\awd208-e-series specialty fixed window (non-hvhz)(non-impact).dwg

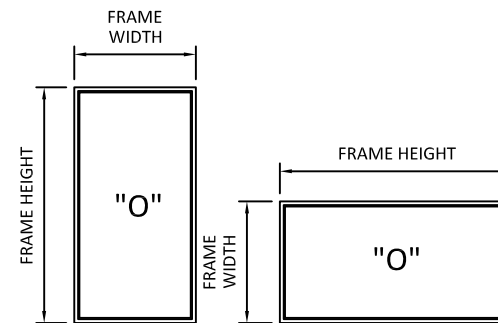


**ELEVATION
SINGLE UNIT**



**ELEVATION
SINGLE UNIT**

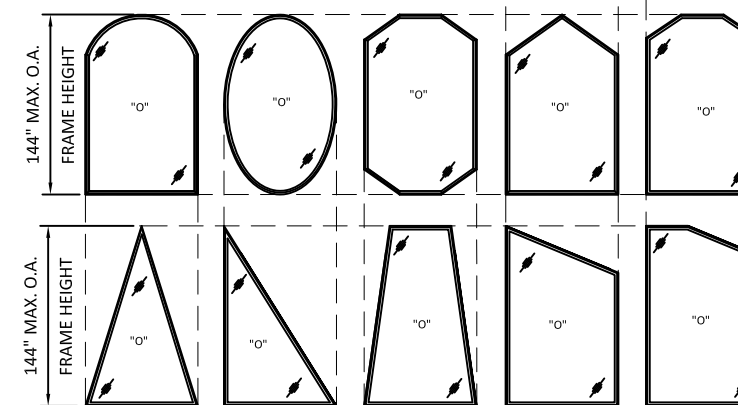
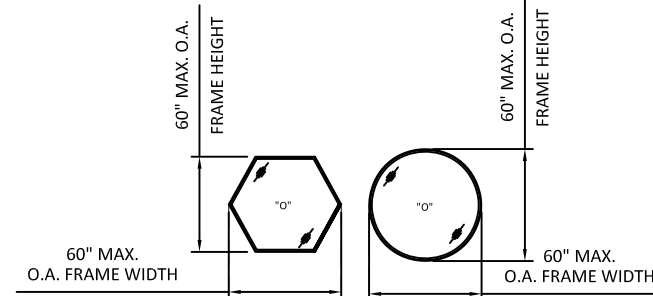
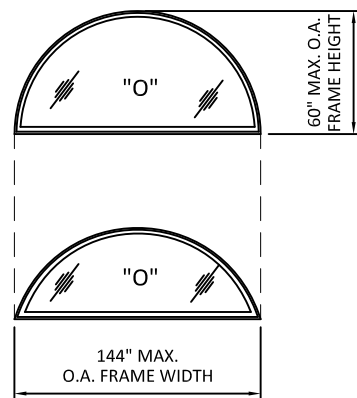
NOTE:
SEE NOTE 2 FOR SIZE RESTRICTIONS



NOTE:
WINDOW WIDTH AND HEIGHT ARE
INTERCHANGEABLE FOR ALL SIZES
SHOWN HEREIN NOT TO EXCEED
MAXIMUM QUALIFIED SQUARE
FOOT AREA.

NOTE:

1. THE ARCHITECT OR ENGINEER OF RECORD MUST ENGINEER THE BUCK AND FRAME ANCHORING FOR THE GEOMETRIC SHAPES THAT DO NOT HAVE ANCHORING SHOWN IN THIS DRAWING.
2. GEOMETRIC SHAPES MUST FIT WITHIN THE BOUNDING BOX DIMENSIONS OF 60" x 96" OR 96" x 60" OR 54" X 144" OR 144" X 54".



100 FOURTH AVE NORTH
BAYPORT, MN 55003-1096
PH: (651) 264-5150 FX: (651) 264-5485

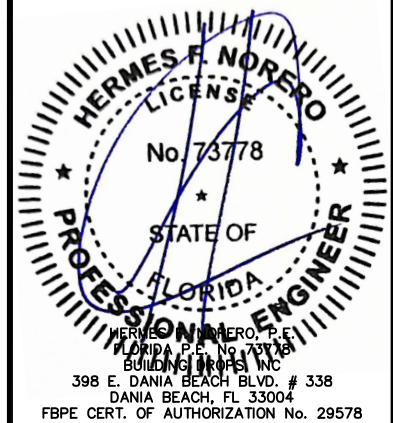
TITLE: E-SERIES SPECIALTY FIXED WINDOW
(NON-HVHZ) (NON-IMPACT)
ELEVATIONS AND
QUALIFIED CONFIGURATIONS

PREPARED BY:
BUILDING DROPS, INC.
398 E. DANIA BEACH BLVD., STE. 338
DANIA BEACH, FL 33004
PH: (954)399-8478
FAX: (954)744-4738
WEB: www.buildingdrops.com



REMARKS	BY	DATE
1/2" LVL MULL ADDITION	HR	4.3.19
ADDED MULL & DP CHARTS	LL	7.15.19
7TH FBC CODE CHANGE	NUS	6.28.20
2023 FBC CODE CHANGE	MS	5/31/23

THE INSTALLATION DETAILS DESCRIBED HEREIN ARE GENERIC AND MAY NOT REFLECT ACTUAL CONDITIONS FOR A SPECIFIC SITE. IF SITE CONDITIONS CAUSE INSTALLATION TO DEVIATE FROM THE REQUIREMENTS DETAILED HEREIN, A LICENSED ENGINEER OR ARCHITECT SHALL PREPARE SITE SPECIFIC DOCUMENTS FOR USE WITH THIS DOCUMENT.



FL #:

FL24230

DATE: **10.12.17**

DWG. BY: **AG** CHK. BY: **HFN**

SCALE: **NTS**

DWG. #: **AWD208**

SHEET:

2



100 FOURTH AVE NORTH
BAYPORT, MN 55003-1096
PH: (651) 264-5150 FX: (651) 264-5485

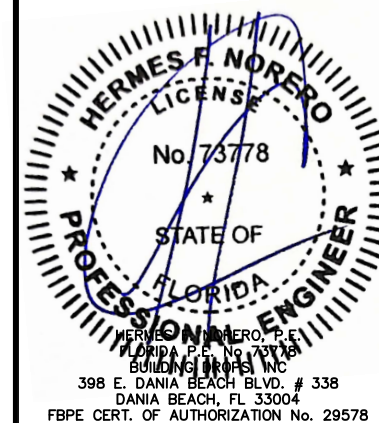
TITLE: E-SERIES SPECIALTY FIXED WINDOW
(NON-HVHZ) (NON-IMPACT)
MULLED ELEVATIONS

PREPARED BY:
BUILDING DROPS, INC.
398 E. DANIA BEACH BLVD., STE. 338
DANIA BEACH, FL 33004
PH: (954) 399-8478
FAX: (954) 744-4738
WEB: www.buildingdrops.com



REMARKS	BY	DATE
1/2" LVL MULL ADDITION	HR	4.3.19
ADDED MULL & DP CHARTS	LL	7.15.19
7TH FBC CODE CHANGE	NUS	6.28.20
2023 FBC CODE CHANGE	MS	5/31/23

THE INSTALLATION DETAILS DESCRIBED HEREIN ARE GENERIC AND MAY NOT REFLECT ACTUAL CONDITIONS FOR A SPECIFIC SITE. IF SITE CONDITIONS CAUSE INSTALLATION TO DEVIATE FROM THE REQUIREMENTS DETAILED HEREIN, A LICENSED ENGINEER OR ARCHITECT SHALL PREPARE SITE SPECIFIC DOCUMENTS FOR USE WITH THIS DOCUMENT.



FL #: **FL24230**

DATE: **10.12.17**

DWG. BY: **AG** CHK. BY: **HFN**

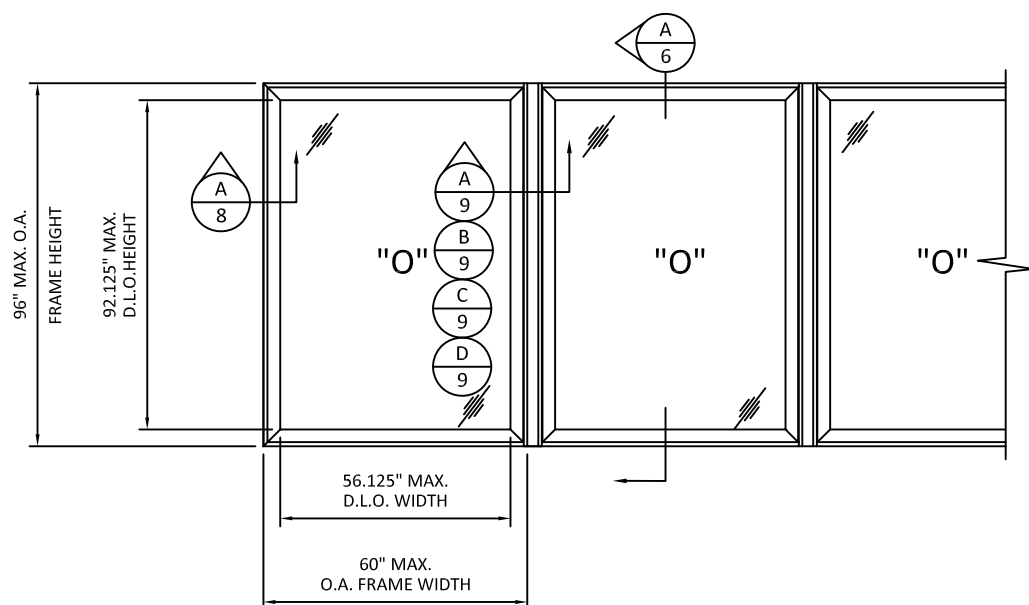
SCALE: **NTS**

DWG. #: **AWD208**

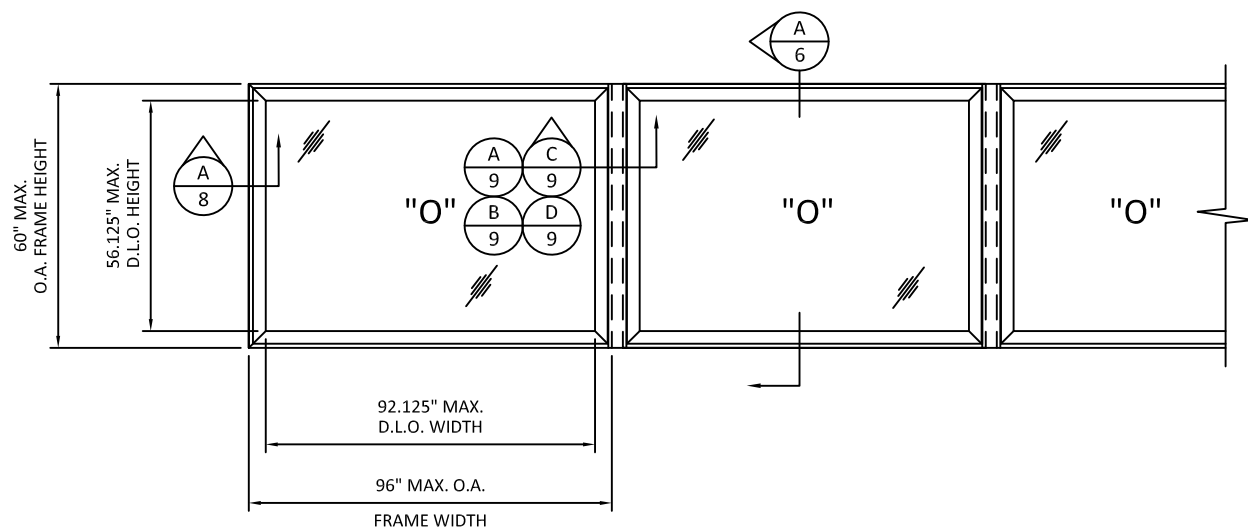
SHEET:

3

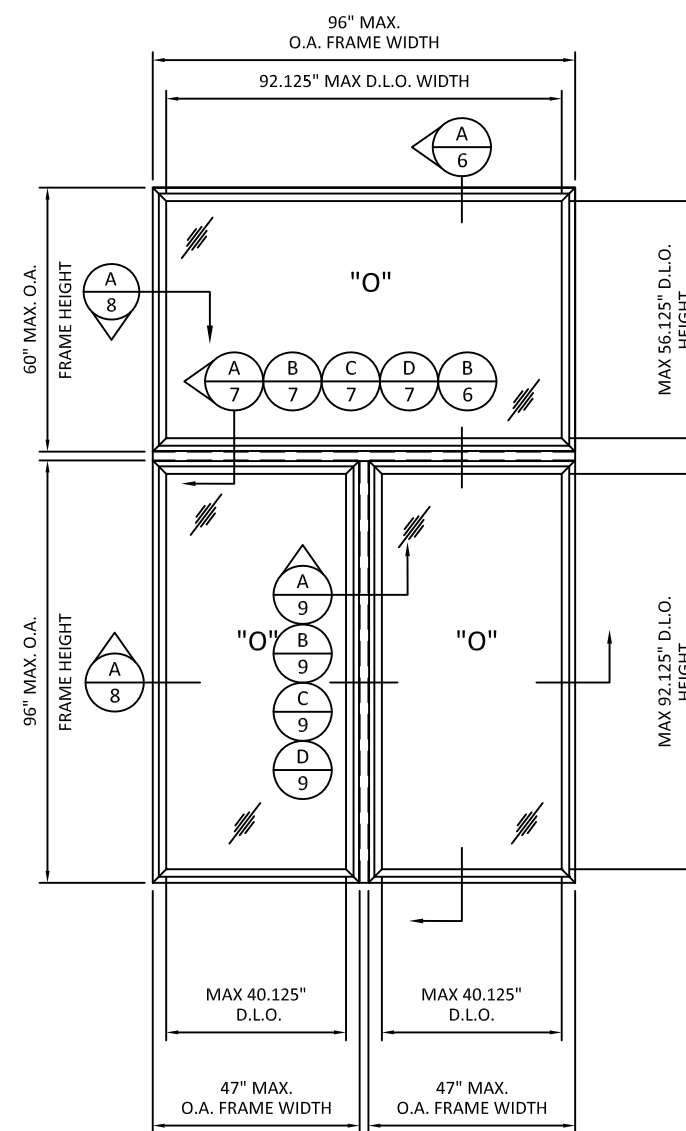
OF 29



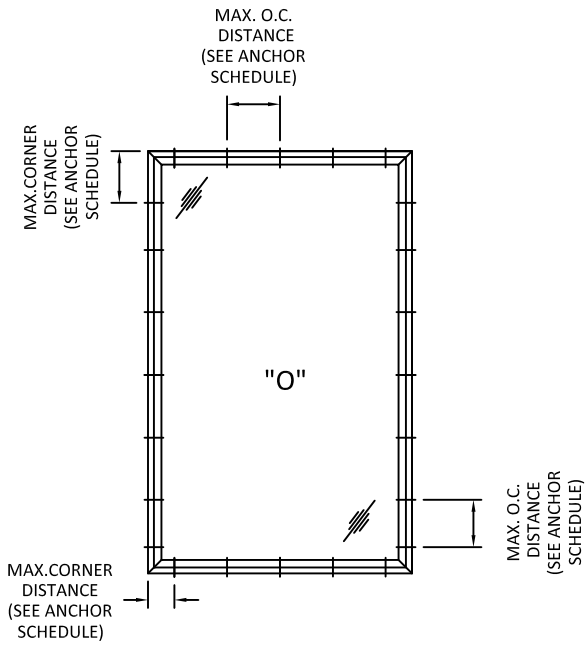
ELEVATION
MULLED UNITS
HORIZONTAL CONFIGURATION



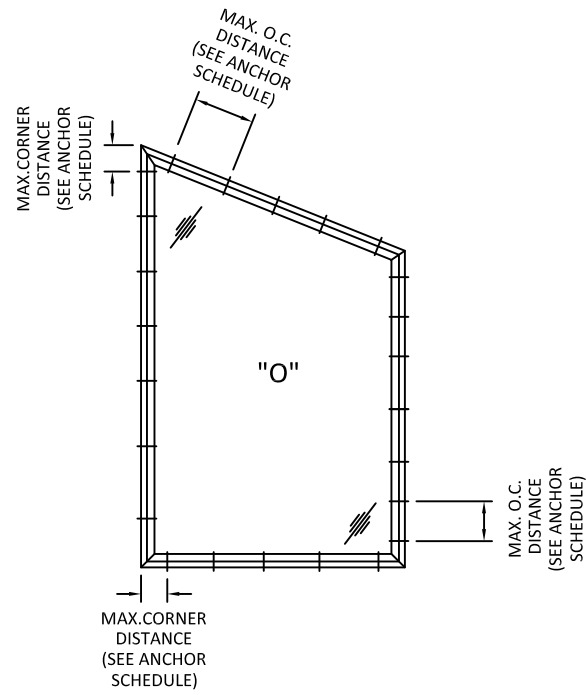
ELEVATION
MULLED UNITS
HORIZONTAL CONFIGURATION



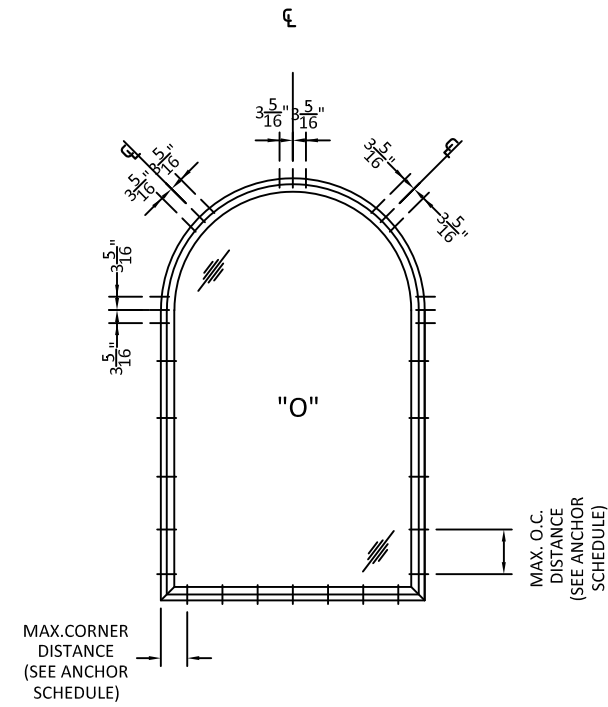
ELEVATION
MULLED UNITS
HORIZONTAL WITH TRANSOM CONFIGURATION



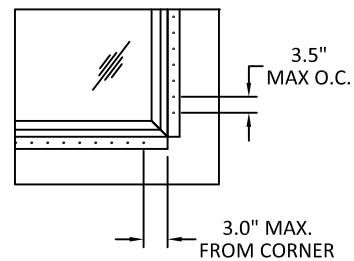
STRAP/FASTENER THROUGH FRAME ANCHORING
RECTANGULAR/SQUARE SINGLE UNIT



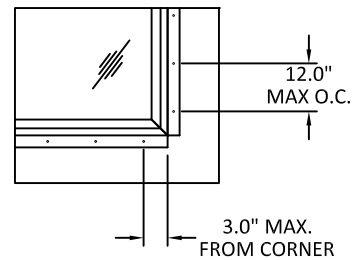
STRAP/FASTENER THROUGH FRAME ANCHORING
TRAPEZOID SINGLE UNIT



STRAP/FASTENER THROUGH FRAME ANCHORING
RADIUS SINGLE UNIT



VINYL FIN ANCHORING
SINGLE UNIT



ALUMINUM FIN ANCHORING
SINGLE UNIT

NOTE:
NAILING FLANGE INSTALLATIONS ARE LIMITED TO INDIVIDUAL UNITS OR ASSEMBLIES EQUAL TO OR LESS THAN DP50 AND EQUAL TO OR LESS THAN 30 SQUARE FEET.

NOTE :
FOR MORE ANCHOR INFORMATION (INSTALLATION TYPE, SPACING, QUANTITY, ANCHOR TYPE, QUALIFIED SUBSTRATES) SEE SHEET 10



100 FOURTH AVE NORTH
BAYPORT, MN 55003-1096
PH: (651) 264-5150 FX: (651) 264-5485

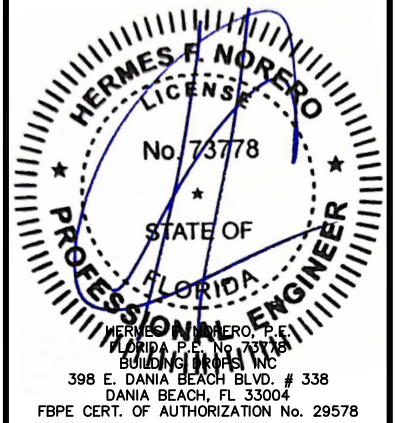
TITLE: E-SERIES SPECIALTY FIXED WINDOW (NON-HVHZ) (NON-IMPACT)
ANCHOR LAYOUTS

PREPARED BY: BUILDING DROPS, INC.
398 E. DANIA BEACH BLVD., STE. 338
DANIA BEACH, FL 33004
PH: (954) 399-8478
FAX: (954) 744-4738
WEB: www.buildingdrops.com



REMARKS	BY	DATE
1/2" LVL MULL ADDITION	HR	4.3.19
ADDED MULL & DP CHARTS	LL	7.15.19
7TH FBC CODE CHANGE	NUS	6.28.20
2023 FBC CODE CHANGE	MS	5/31/23

THE INSTALLATION DETAILS DESCRIBED HEREIN ARE GENERIC AND MAY NOT REFLECT ACTUAL CONDITIONS FOR A SPECIFIC SITE. IF SITE CONDITIONS CAUSE INSTALLATION TO DEVIATE FROM THE REQUIREMENTS DETAILED HEREIN, A LICENSED ENGINEER OR ARCHITECT SHALL PREPARE SITE SPECIFIC DOCUMENTS FOR USE WITH THIS DOCUMENT.



FL #:

FL24230

DATE: **10.12.17**

DWG. BY: AG	CHK. BY: HFN
-----------------------	------------------------

SCALE: **NTS**

DWG. #: **AWD208**

SHEET:
4



100 FOURTH AVE NORTH
BAYPORT, MN 55003-1096
PH: (651) 264-5150 FX: (651) 264-5485

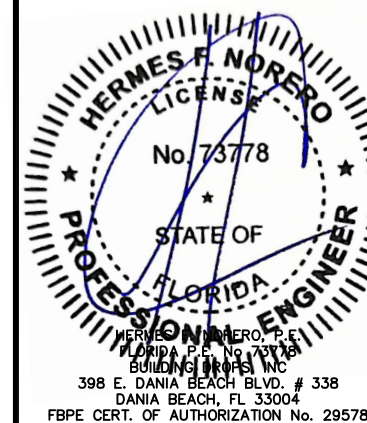
TITLE: E-SERIES SPECIALTY FIXED WINDOW
(NON-HVHZ) (NON-IMPACT)
MULLED ANCHOR LAYOUT

PREPARED BY:
BUILDING DROPS, INC.
398 E. DANIA BEACH BLVD., STE. 338
DANIA BEACH, FL 33004
PH: (954) 399-8478
FAX: (954) 744-4738
WEB: www.buildingdrops.com



REMARKS	BY	DATE
1/2" LVL MULL ADDITION	HR	4.3.19
ADDED MULL & DP CHARTS	LL	7.15.19
7TH FBC CODE CHANGE	NUS	6.28.20
2023 FBC CODE CHANGE	MS	5/31/23

THE INSTALLATION DETAILS DESCRIBED HEREIN ARE GENERIC AND MAY NOT REFLECT ACTUAL CONDITIONS FOR A SPECIFIC SITE. IF SITE CONDITIONS CAUSE INSTALLATION TO DEVIATE FROM THE REQUIREMENTS DETAILED HEREIN, A LICENSED ENGINEER OR ARCHITECT SHALL PREPARE SITE SPECIFIC DOCUMENTS FOR USE WITH THIS DOCUMENT.



FL #: **FL24230**

DATE: **10.12.17**

DWG. BY: **AG**

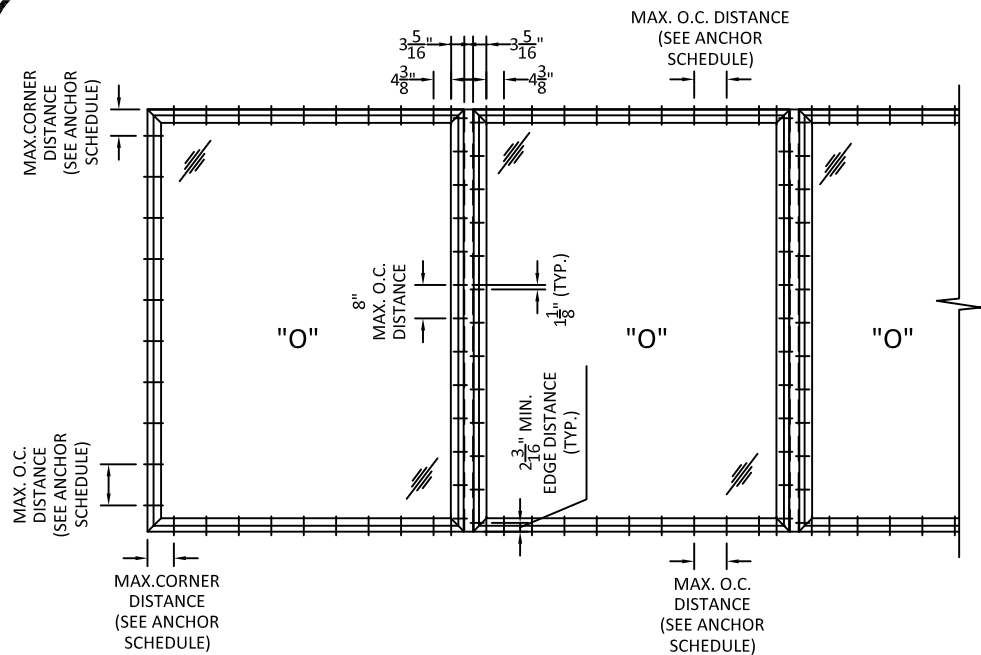
CHK. BY: **HFN**

SCALE: **NTS**

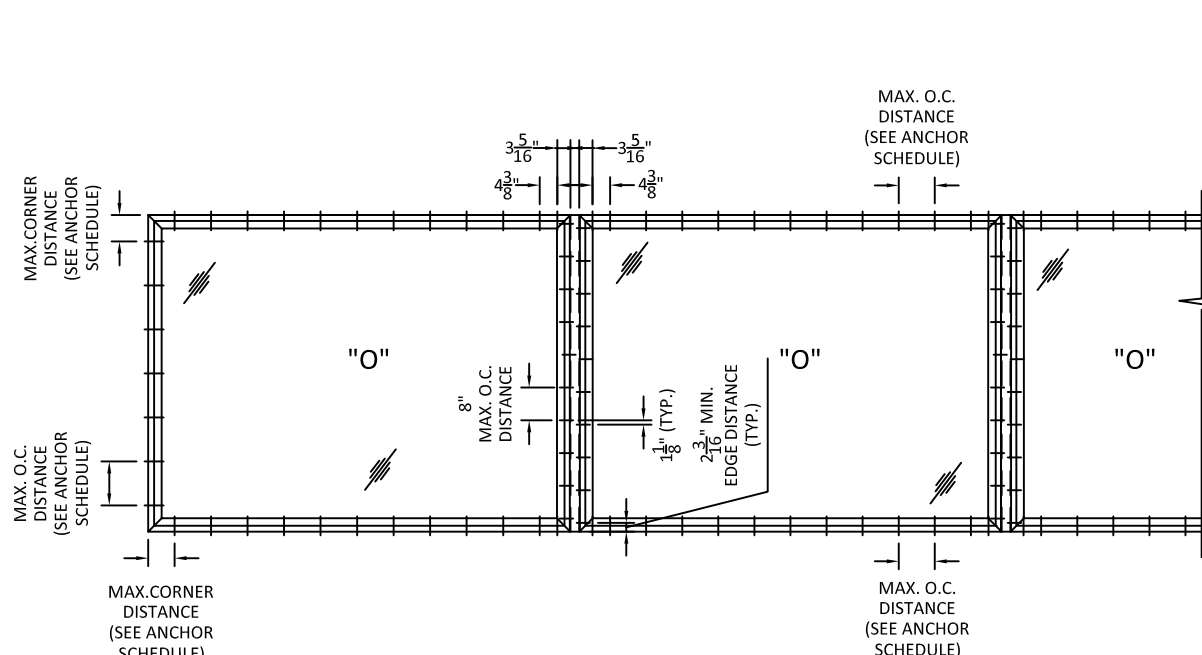
DWG. #: **AWD208**

SHEET: **5**

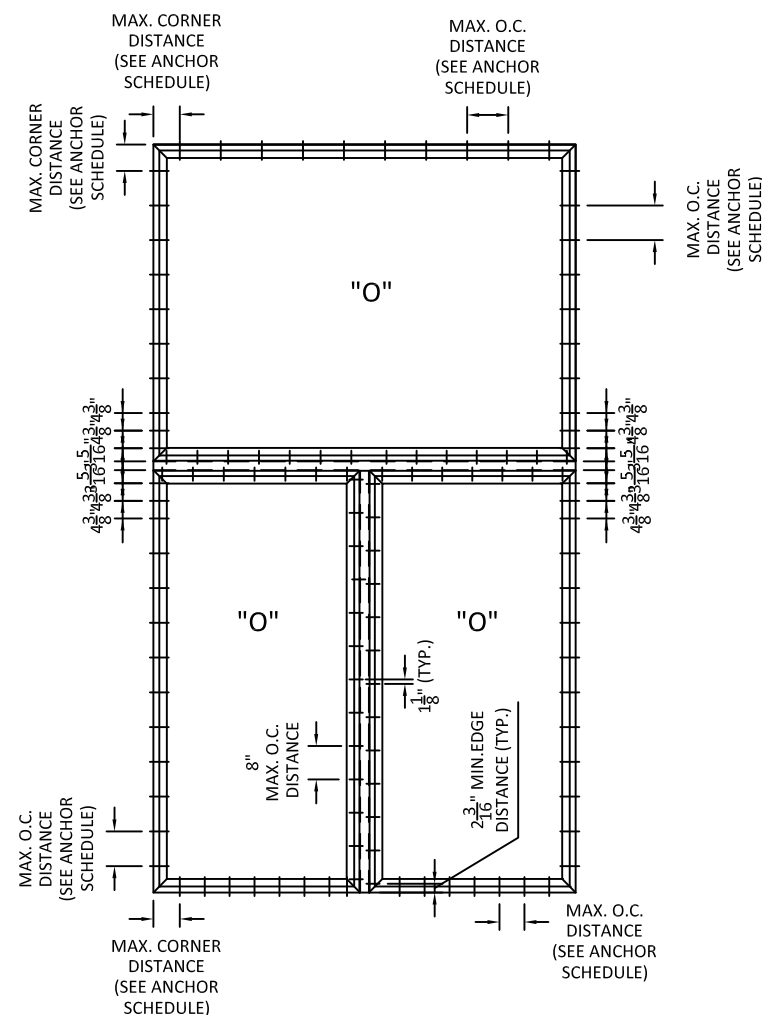
OF 29



STRAP/FASTENER THROUGH FRAME ANCHORING MULLED UNIT HORIZONTAL CONFIGURATION



STRAP/FASTENER THROUGH FRAME ANCHORING MULLED UNIT HORIZONTAL CONFIGURATION



STRAP/FASTENER THROUGH FRAME ANCHORING MULLED UNIT HORIZONTAL WITH TRANSOM CONFIGURATION

NOTE:
FOR MORE ANCHOR INFORMATION (INSTALLATION TYPE, SPACING, QUANTITY, ANCHOR TYPE, QUALIFIED SUBSTRATES) SEE SHEET 10



100 FOURTH AVE NORTH
BAYPORT, MN 55003-1096
PH: (651) 264-5150 FX: (651) 264-5485

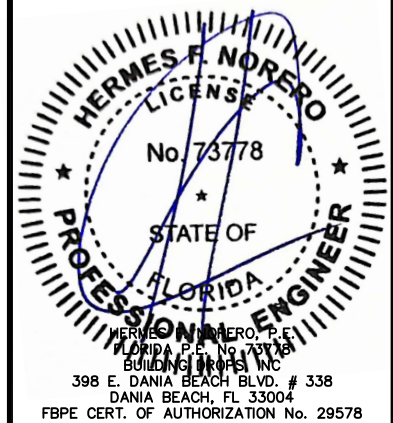
TITLE: E-SERIES SPECIALTY FIXED WINDOW
(NON-HVHZ) (NON-IMPACT)
VERTICAL SECTIONS

PREPARED BY:
BUILDING DROPS, INC.
398 E. DANIA BEACH BLVD., STE. 338
DANIA BEACH, FL 33004
PH: (954) 399-8478
FAX: (954) 744-4738
WEB: www.buildingdrops.com



REMARKS	BY	DATE
1/2" LVL MULL ADDITION	HR	4.3.19
ADDED MULL & DP CHARTS	LL	7.15.19
7TH FBC CODE CHANGE	NUS	6.28.20
2023 FBC CODE CHANGE	MS	5/31/23

THE INSTALLATION DETAILS DESCRIBED HEREIN ARE GENERIC AND MAY NOT REFLECT ACTUAL CONDITIONS FOR A SPECIFIC SITE. IF SITE CONDITIONS CAUSE INSTALLATION TO DEVIATE FROM THE REQUIREMENTS DETAILED HEREIN, A LICENSED ENGINEER OR ARCHITECT SHALL PREPARE SITE SPECIFIC DOCUMENTS FOR USE WITH THIS DOCUMENT.



FL #: **FL24230**

DATE: **10.12.17**

DWG. BY: **AG** CHK. BY: **HFN**

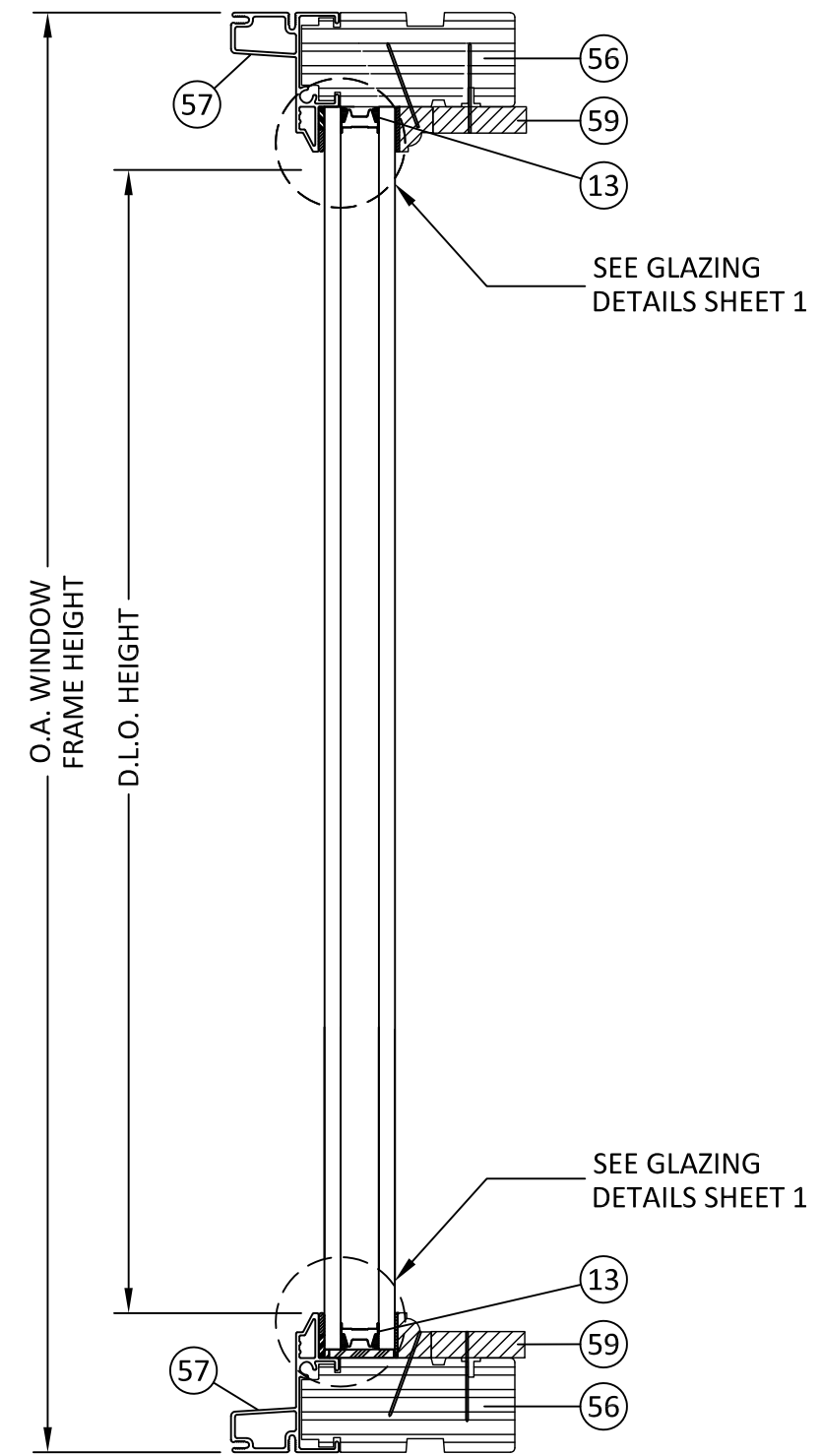
SCALE: **NTS**

DWG. #: **AWD208**

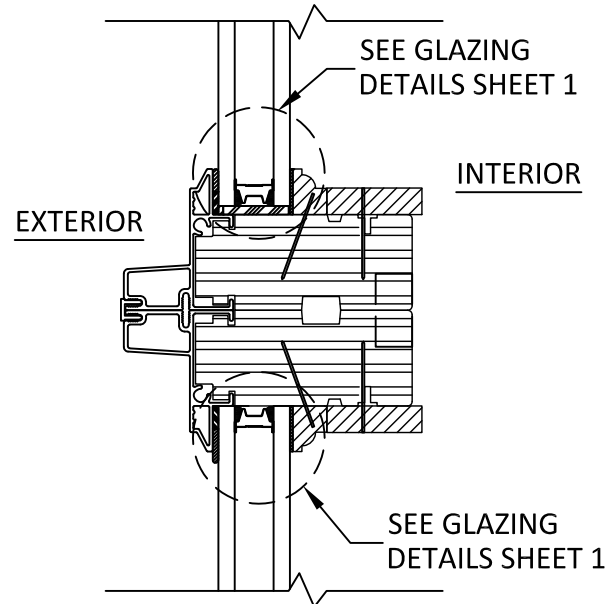
SHEET:

6

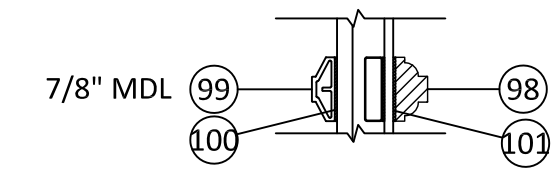
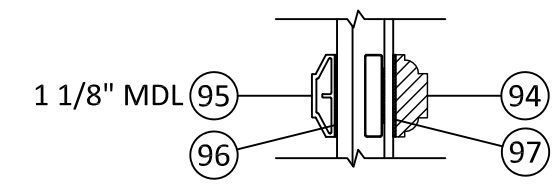
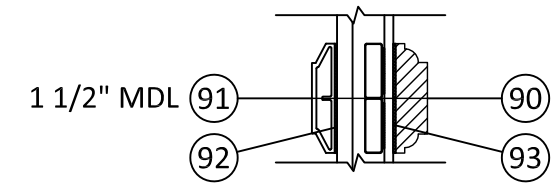
OF 29



A
6 VERTICAL SECTION
INSULATED GLASS



B
6 VERTICAL SECTION
INSULATED GLASS
ZERO MULLION



**OPTIONAL MUNTIN BAR
ATTACHMENT TO GLASS**

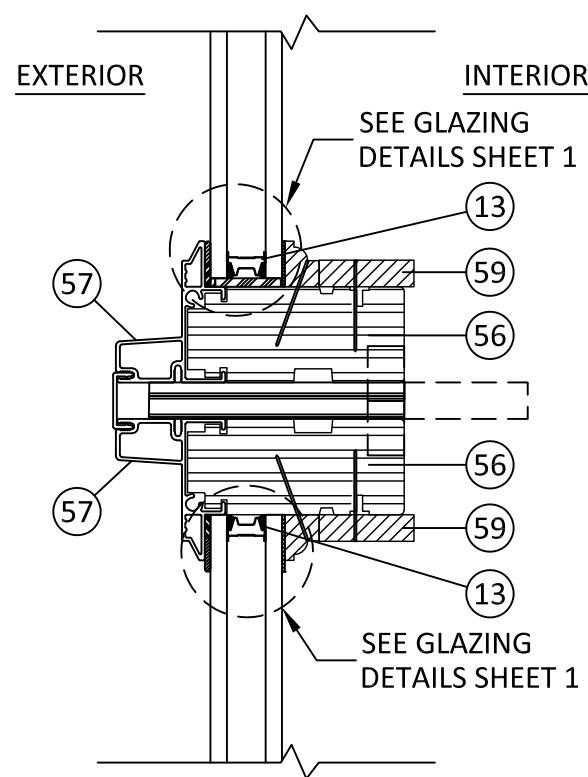
s:\projects\andersen_windows\cc-23-0406 - fbc 2023 code change (8th edition)\124230\dwgs\awd208 - e-series specialty fixed window (non-hvz)(non-impact).dwg 6/8/2023 5:57 PM



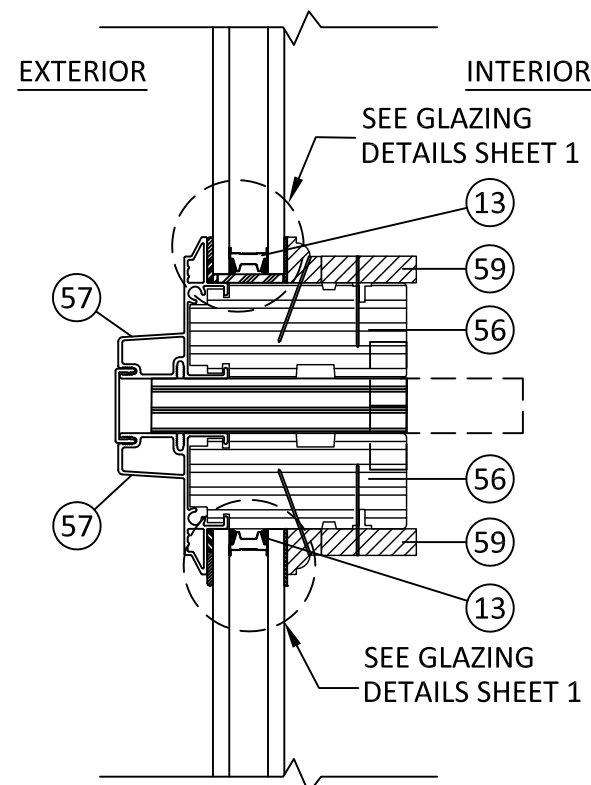
100 FOURTH AVE NORTH
BAYPORT, MN 55003-1096
PH: (651) 264-5150 FX: (651) 264-5485

TITLE: E-SERIES SPECIALTY FIXED WINDOW
(NON-HVHZ) (NON-IMPACT)
MULLION VERTICAL SECTIONS

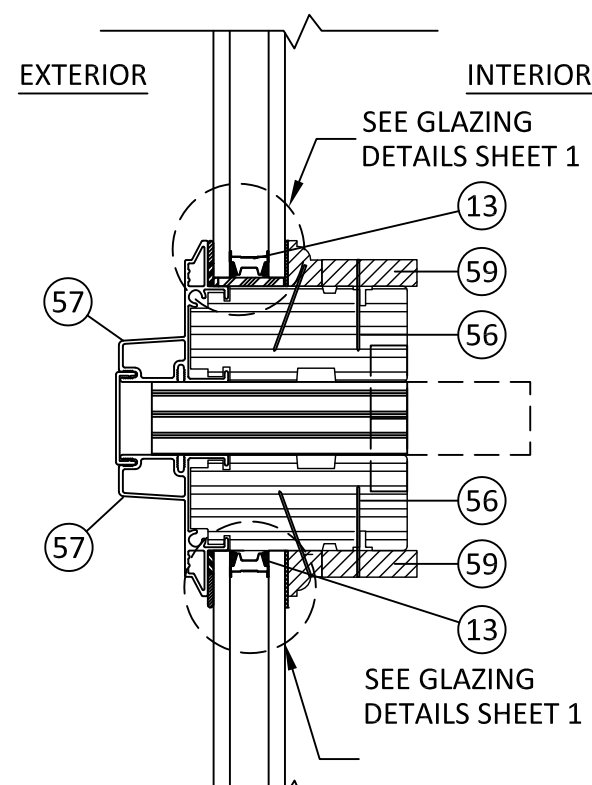
PREPARED BY:
BUILDING DROPS, INC.
398 E. DANIA BEACH BLVD., STE. 338
DANIA BEACH, FL 33004
PH: (954) 399-8478
FAX: (954) 744-4738
WEB: www.buildingdrops.com



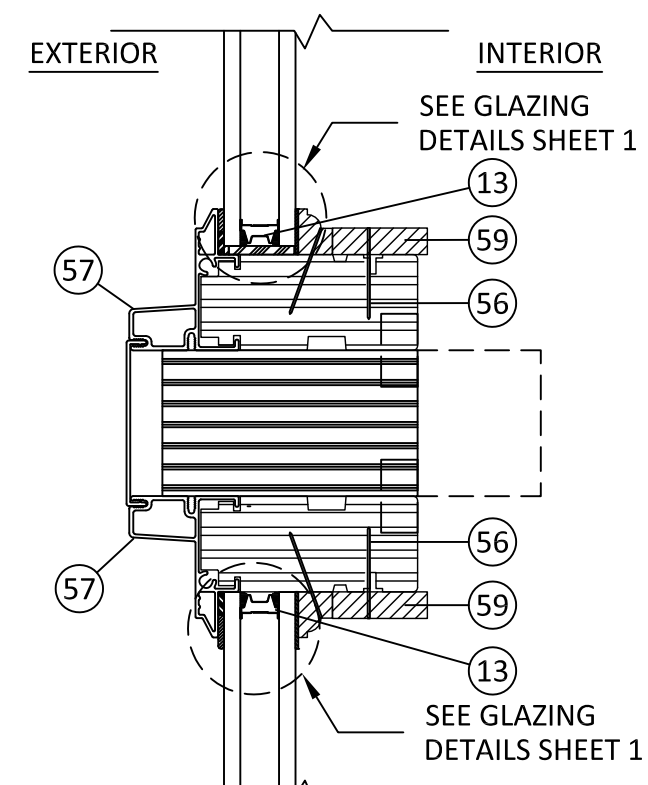
A
7
VERTICAL SECTION
INSULATED GLASS
1/2" x 3 1/2" MULLION
OR 1/2" x 5 3/16"



B
7
VERTICAL SECTION
INSULATED GLASS
3/4" x 3 1/2" MULLION
OR 3/4" x 5 3/16"



C
7
VERTICAL SECTION
INSULATED GLASS
1" x 3 1/2" MULLION
OR 1" x 5 3/16"

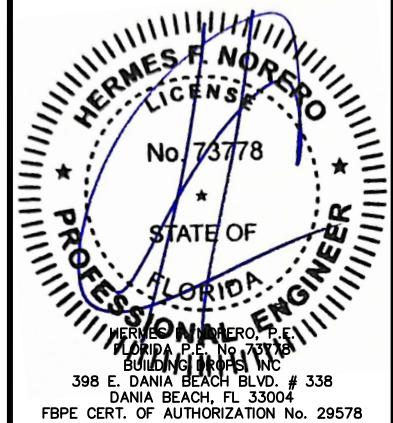


D
7
VERTICAL SECTION
INSULATED GLASS
2" x 3 1/2" MULLION
OR 2" x 5 3/16"

NOTE : LVL MULLS BETWEEN JAMBS MAY BE
3 1/2" OR 5 3/16" IN DEPTH AS
REPRESENTED BY DASHED LINES

REMARKS	BY	DATE
1/2" LVL MULL ADDITION	HR	4.3.19
ADDED MULL & DP CHARTS	LL	7.15.19
7TH FBC CODE CHANGE	NUS	6.28.20
2023 FBC CODE CHANGE	MS	5/31/23

THE INSTALLATION DETAILS DESCRIBED HEREIN ARE GENERIC AND MAY NOT REFLECT ACTUAL CONDITIONS FOR A SPECIFIC SITE. IF SITE CONDITIONS CAUSE INSTALLATION TO DEVIATE FROM THE REQUIREMENTS DETAILED HEREIN, A LICENSED ENGINEER OR ARCHITECT SHALL PREPARE SITE SPECIFIC DOCUMENTS FOR USE WITH THIS DOCUMENT.



FL #:	FL24230
DATE:	10.12.17
DWG. BY:	AG
CHK. BY:	HFN
SCALE:	NTS
DWG. #:	AWD208
SHEET:	7

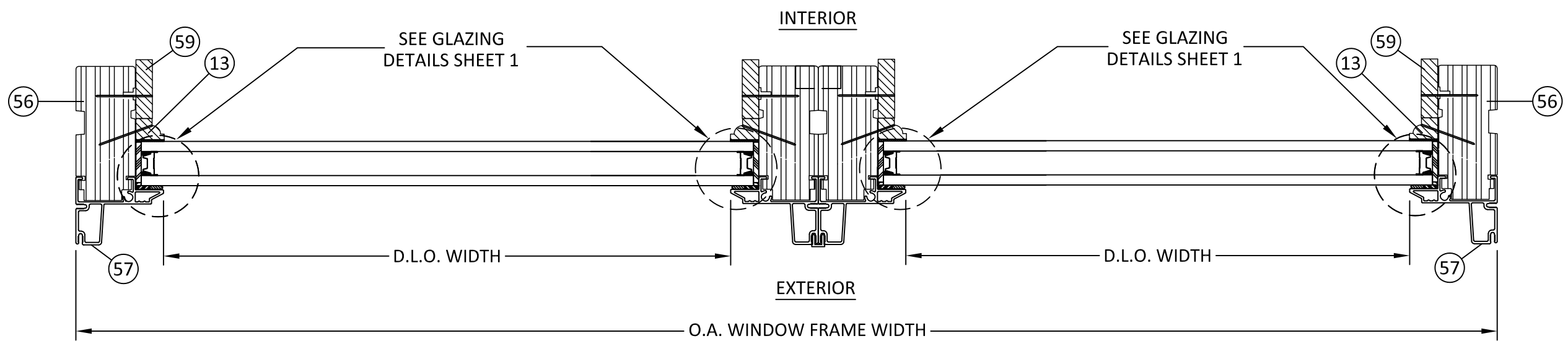
6/8/2023 5:57 PM
s:\projects\andersen windows\cc-23-0406 - fbc 2023 code change (8th edition)\124230\dwgs\awd208 - e-series specialty fixed window (non-hvz)(non-impact).dwg



100 FOURTH AVE NORTH
BAYPORT, MN 55003-1096
PH: (651) 264-5150 FX: (651) 264-5485

TITLE: E-SERIES SPECIALTY FIXED WINDOW
(NON-HVHZ) (NON-IMPACT)
HORIZONTAL SECTIONS

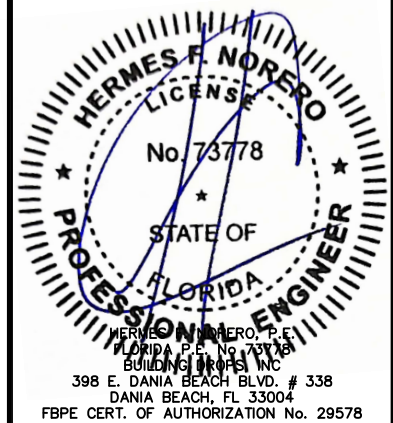
PREPARED BY:
BUILDING DROPS, INC.
398 E. DANIA BEACH BLVD., STE. 338
DANIA BEACH, FL 33004
PH: (954) 399-8478
FAX: (954) 744-4738
WEB: www.buildingdrops.com



A
8 **HORIZONTAL SECTION**
INSULATED GLASS
ZERO MULLION

REMARKS	BY	DATE
1/2" LVL MULL ADDITION	HR	4.3.19
ADDED MULL & DP CHARTS	LL	7.15.19
7TH FBC CODE CHANGE	NUS	6.28.20
2023 FBC CODE CHANGE	MS	5/31/23

THE INSTALLATION DETAILS DESCRIBED HEREIN ARE GENERIC AND MAY NOT REFLECT ACTUAL CONDITIONS FOR A SPECIFIC SITE. IF SITE CONDITIONS CAUSE INSTALLATION TO DEVIATE FROM THE REQUIREMENTS DETAILED HEREIN, A LICENSED ENGINEER OR ARCHITECT SHALL PREPARE SITE SPECIFIC DOCUMENTS FOR USE WITH THIS DOCUMENT.



FL #:	FL24230
DATE:	10.12.17
DWG. BY:	AG
CHK. BY:	HFN
SCALE:	NTS
DWG. #:	AWD208
SHEET:	8

s:\projects\andersen windows\cc-23-0406 - fbc 2023 code change (8th edition)\124230\dwgs\awd208 - e-series specialty fixed window (non-hvz)(non-impact).dwg 6/8/2023 5:57 PM



100 FOURTH AVE NORTH
BAYPORT, MN 55003-1096
PH: (651) 264-5150 FX: (651) 264-5485

TITLE: E-SERIES SPECIALTY FIXED WINDOW
(NON-HVHZ) (NON-IMPACT)

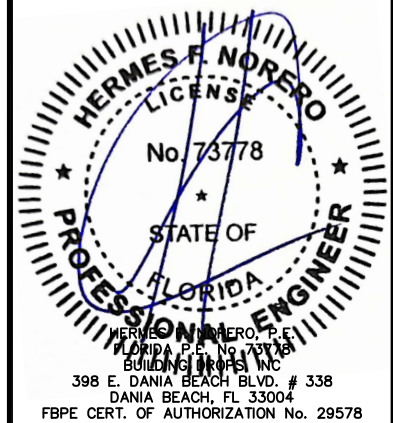
MULLION HORIZONTAL SECTIONS

PREPARED BY:
BUILDING DROPS, INC.
398 E. DANIA BEACH BLVD., STE. 338
DANIA BEACH, FL 33004
PH: (954) 399-8478
FAX: (954) 744-4738
WEB: www.buildingdrops.com



REMARKS	BY	DATE
1/2" LVL MULL ADDITION	HR	4.3.19
ADDED MULL & DP CHARTS	LL	7.15.19
7TH FBC CODE CHANGE	NUS	6.28.20
2023 FBC CODE CHANGE	MS	5/31/23

THE INSTALLATION DETAILS DESCRIBED HEREIN ARE GENERIC AND MAY NOT REFLECT ACTUAL CONDITIONS FOR A SPECIFIC SITE. IF SITE CONDITIONS CAUSE INSTALLATION TO DEVIATE FROM THE REQUIREMENTS DETAILED HEREIN, A LICENSED ENGINEER OR ARCHITECT SHALL PREPARE SITE SPECIFIC DOCUMENTS FOR USE WITH THIS DOCUMENT.



FL #:

FL24230

DATE: 10.12.17

DWG. BY: AG	CHK. BY: HFN
-----------------------	------------------------

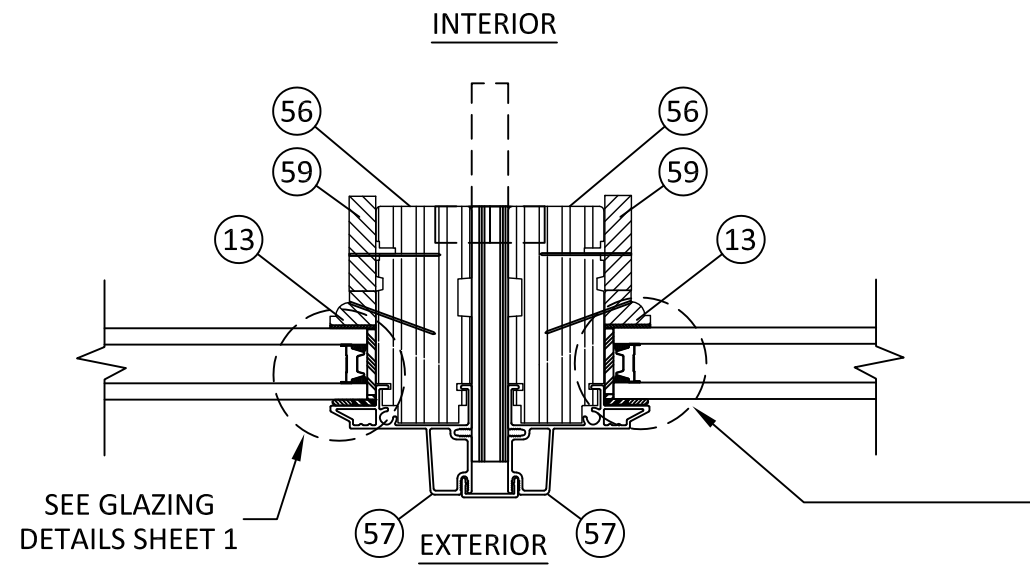
SCALE: **NTS**

DWG. #: **AWD208**

SHEET:

9

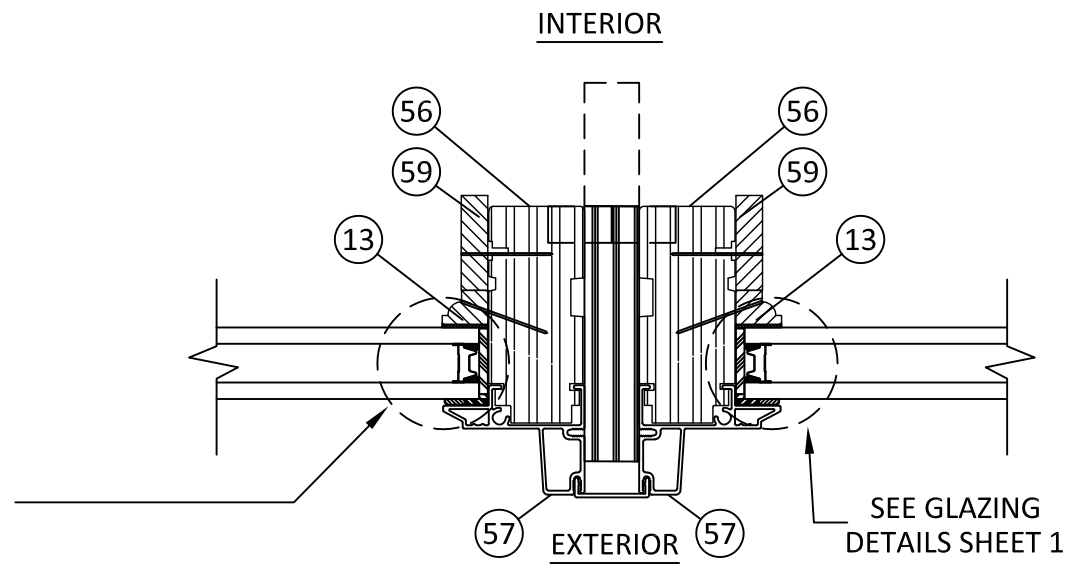
OF 29



A
9 **HORIZONTAL SECTION**
INSULATED GLASS
1/2" x 3 1/2" MULLION
OR 1/2" x 5 3/16"

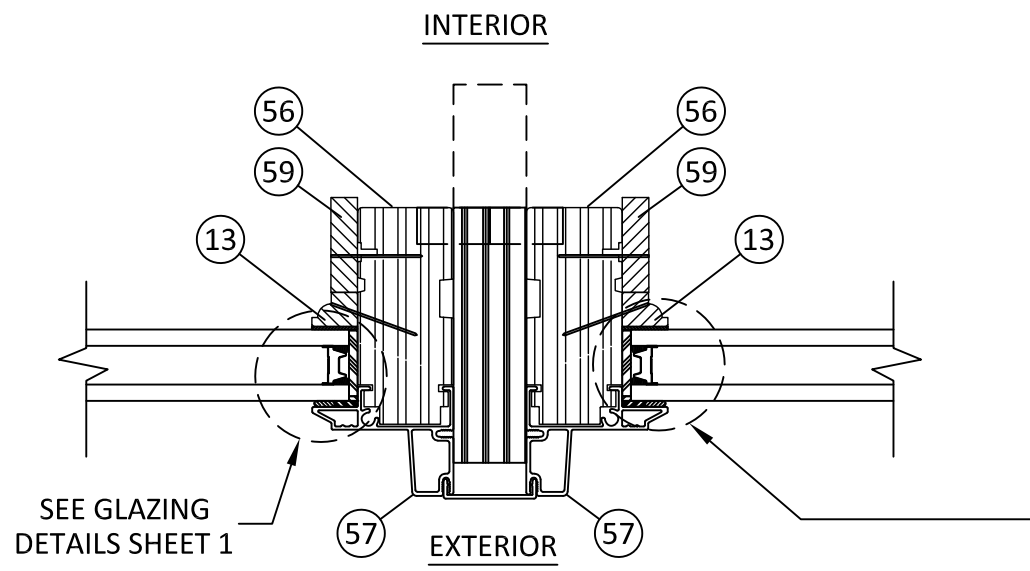
SEE GLAZING
DETAILS SHEET 1

SEE GLAZING
DETAILS SHEET 1



B
9 **HORIZONTAL SECTION**
INSULATED GLASS
3/4" x 3 1/2" MULLION
OR 3/4" x 5 3/16"

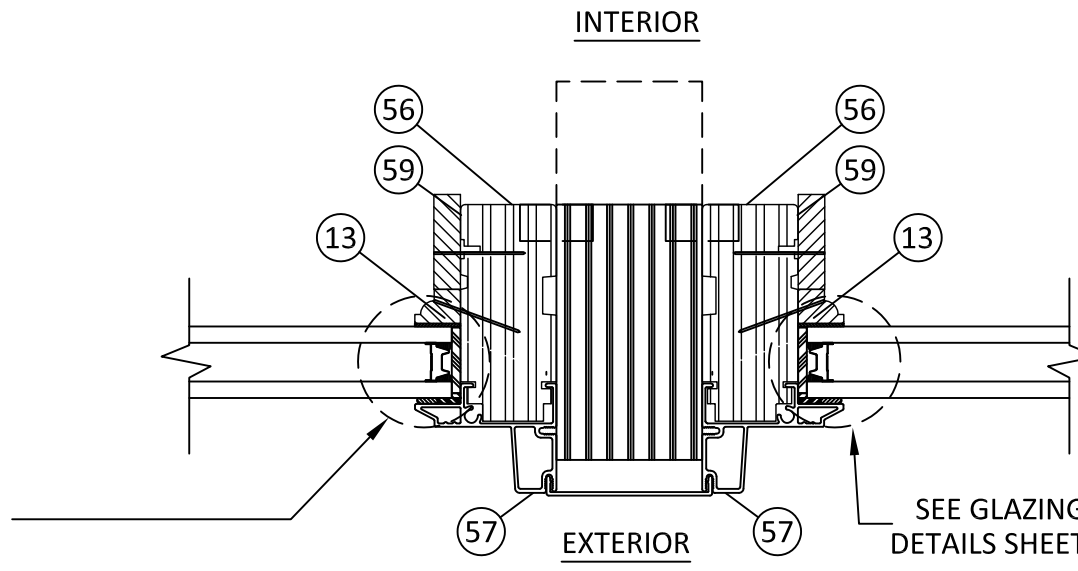
SEE GLAZING
DETAILS SHEET 1



C
9 **HORIZONTAL SECTION**
INSULATED GLASS
1" x 3 1/2" MULLION
OR 1" x 5 3/16"

SEE GLAZING
DETAILS SHEET 1

SEE GLAZING
DETAILS SHEET 1

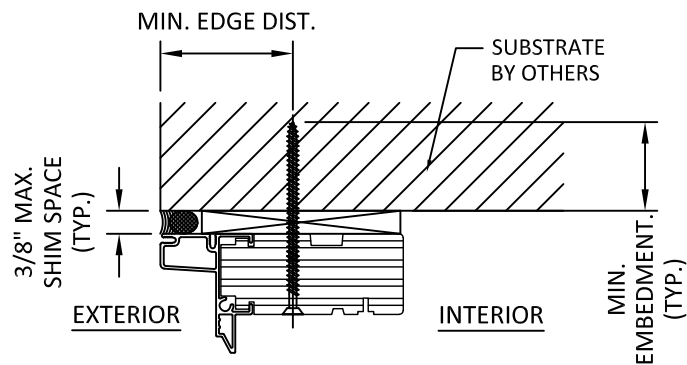


D
9 **HORIZONTAL SECTION**
INSULATED GLASS
2" x 3 1/2" MULLION
OR 2" x 5 3/16"

SEE GLAZING
DETAILS SHEET 1

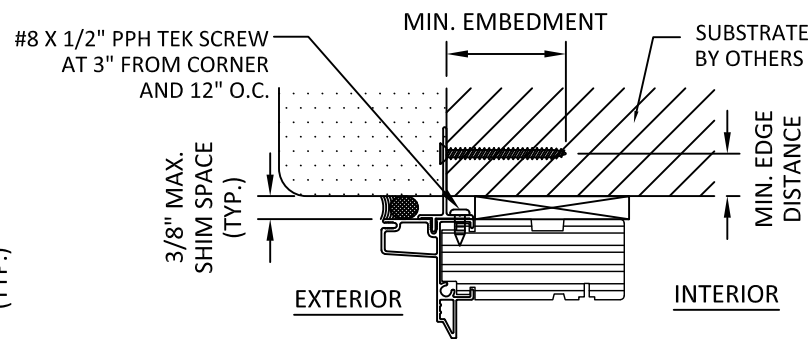
NOTE : LVL MULLS BETWEEN JAMBS MAY BE
3 1/2" OR 5 3/16" IN DEPTH AS
REPRESENTED BY DASHED LINES

6/8/2023 5:57 PM
s:\projects\andersen windows\cc-23-0406 - fbc 2023 code change (8th edition)\124230\dwgs\awd208 - e-series specialty fixed window (non-hvz)(non-impact).dwg



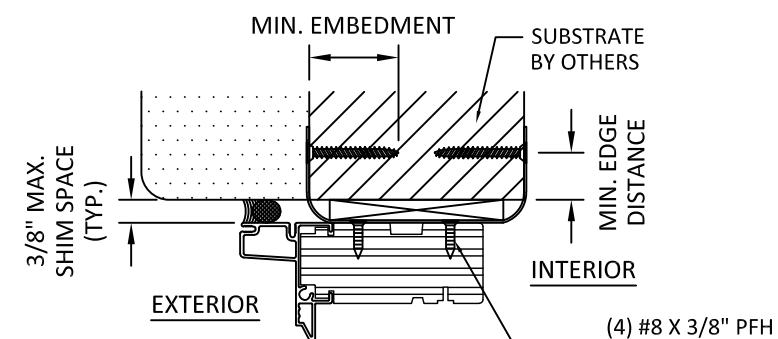
A
10 ANCHOR DETAIL
THROUGH FRAME

SILL & JAMB HAVE A SIMILAR DETAIL.



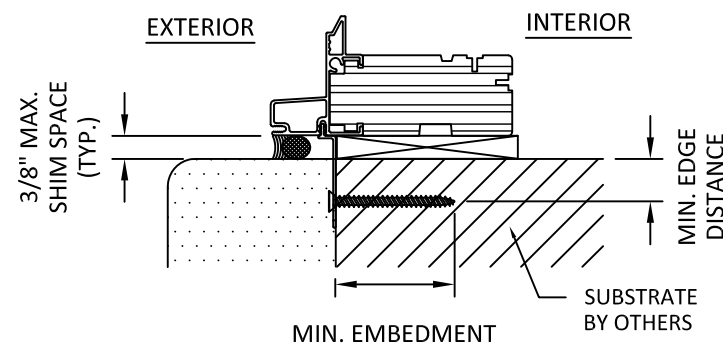
B
10 ANCHOR DETAIL
ALUMINUM NAIL FIN

SILL & JAMB HAVE A SIMILAR DETAIL.



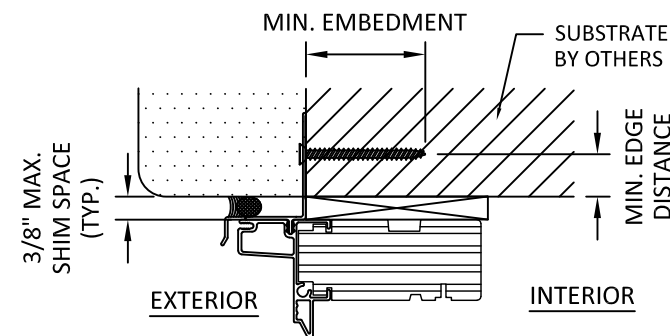
C
10 ANCHOR DETAIL
STRAP ANCHOR (WITH 2X BUCK)

SILL & JAMB HAVE A SIMILAR DETAIL.



D
10 ANCHOR DETAIL
VINYL NAIL FIN

JAMB HAS A SIMILAR DETAIL.



E
10 ANCHOR DETAIL
VINYL NAIL FIN + DRIP EDGE

HEAD DETAIL.

INSTALLATION NOTES

- ONE (1) INSTALLATION ANCHOR IS REQUIRED AT EACH ANCHOR LOCATION SHOWN.
- THE NUMBER OF INSTALLATION ANCHORS DEPICTED IS THE MINIMUM NUMBER OF ANCHORS TO BE USED FOR PRODUCT INSTALLATION OF THE MAXIMUM SIZE LISTED.
- INSTALL INDIVIDUAL INSTALLATION ANCHORS WITHIN A TOLERANCE OF ±1.000 INCH THE DEPICTED LOCATION & SPACING IN THE ANCHOR LAYOUT DETAILS (I.E., WITHOUT CONSIDERATION OF TOLERANCES). TOLERANCES ARE NOT CUMULATIVE FROM ONE INSTALLATION ANCHOR TO THE NEXT.
- SHIM AS REQUIRED AT EACH INSTALLATION ANCHOR WITH LOAD BEARING SHIM(S). MAXIMUM ALLOWABLE SHIM STACK TO BE 3/8 INCH. SHIM WHERE SPACE OF 1/16 INCH OR GREATER OCCURS. SHIM(S) SHALL BE CONSTRUCTED OF HIGH DENSITY PLASTIC OR BETTER.
- MINIMUM EMBEDMENT AND EDGE DISTANCE EXCLUDE WALL FINISHES, INCLUDING BUT NOT LIMITED TO STUCCO, FOAM, BRICK VENEER, AND SIDING.
- INSTALLATION ANCHORS AND ASSOCIATED HARDWARE MUST BE MADE OF CORROSION RESISTANT MATERIAL OR HAVE A CORROSION RESISTANT COATING.
- FOR MASONRY OR CONCRETE OPENINGS, A 1X WOOD BUCK MAY BE USED (OPTIONAL) AS LONG AS THE MINIMUM EMBEDMENT AND EDGE DISTANCE REQUIREMENTS ARE STILL MET WITHIN THE CORRESPONDING HOST SUBSTRATE. SEE GENERAL NOTE #3 ON SHEET 1 FOR MORE INFORMATION.
- FOR HOLLOW BLOCK AND GROUT FILLED BLOCK, DO NOT INSTALL INSTALLATION ANCHORS INTO MORTAR JOINTS. EDGE DISTANCE IS MEASURED FROM FREE EDGE OF BLOCK OR EDGE OF MORTAR JOINT INTO FACE SHELL OF BLOCK.
- INSTALLATION ANCHORS SHALL BE INSTALLED IN ACCORDANCE WITH ANCHOR MANUFACTURER'S INSTALLATION INSTRUCTIONS, AND ANCHORS SHALL NOT BE USED IN SUBSTRATES WITH STRENGTHS LESS THAN THE MINIMUM STRENGTH SPECIFIED BY THE ANCHOR MANUFACTURER.

ANCHOR SCHEDULE

INSTALLATION TYPE	ANCHOR QTY PER LOCATION	SUBSTRATE	ANCHOR TYPE	EMBEDMENT (IN.)	EDGE DISTANCE (IN.)	MAX. HEAD/SILL O.C. DISTANCE (IN.)	MAX. JAMB O.C. DISTANCE (IN.)	MAX. CORNER DISTANCE (IN.)
THRU STRAP	2	WOOD : MIN. SG=0.55	#8 WOOD SCREW	1.5	0.75	16.0	18.0	6.0
	2	METAL : 20 GAUGE STEEL, MIN. F _y =33KSI	#8 TEK SCREW	3 THREADS MIN. PENETRATION	0.5			
THRU FRAME	1	WOOD : MIN. SG=0.55	#10 WOOD SCREW	1.50	0.75	16.0	18.0	6.0
	1	METAL : 20 GAUGE STEEL, MIN. F _y =33KSI	#12 TEK SCREW	3 THREADS MIN. PENETRATION	0.5			
	1	CONCRETE : f' _c =3000PSI	1/4" ELCO ULTRACON	1	2.5			
THRU VINYL NAIL FIN	1	MASONRY CMU : f' _c =1500PSI	1/4" ELCO ULTRACON	1	2.5	3.5	3.5	3.0
	1	WOOD : MIN. SG=0.55	11 GA. ROOFING NAIL	1.5	0.75			
	1	WOOD : MIN. SG=0.55	#8 WOOD SCREW	1.5	0.75			
THRU ALUMINUM NAIL FIN	1	METAL : 20 GAUGE STEEL, MIN. F _y =33KSI	#8 TEK SCREW	3 THREADS MIN. PENETRATION	0.5	12.0	12.0	3.0
	1	WOOD : MIN. SG=0.55	11 GA. ROOFING NAIL	1.5	0.75			
	1	WOOD : MIN. SG=0.55	#8 WOOD SCREW	1.5	0.75			



100 FOURTH AVE NORTH
BAYPORT, MN 55003-1096
PH: (651) 264-5150 FX: (651) 264-5485

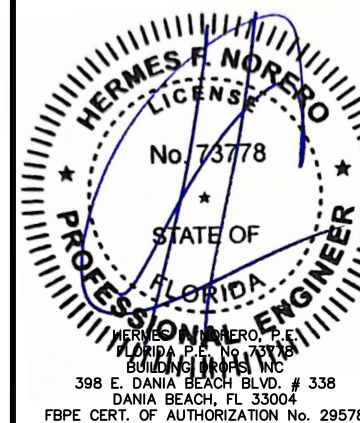
TITLE: E-SERIES SPECIALTY FIXED WINDOW (NON-HVHZ) (NON-IMPACT)
ANCHOR DETAILS

PREPARED BY:
BUILDING DROPS, INC.
398 E. DANIA BEACH BLVD., STE. 338
DANIA BEACH, FL 33004
PH: (954) 399-8478
FAX: (954) 744-4738
WEB: www.buildingdrops.com



REMARKS	BY	DATE
1/2" LVL MULL ADDITION	HR	4.3.19
ADDED MULL & DP CHARTS	LL	7.15.19
7TH FBC CODE CHANGE	NUS	6.28.20
2023 FBC CODE CHANGE	MS	5/31/23

THE INSTALLATION DETAILS DESCRIBED HEREIN ARE GENERIC AND MAY NOT REFLECT ACTUAL CONDITIONS FOR A SPECIFIC SITE. IF SITE CONDITIONS CAUSE INSTALLATION TO DEVIATE FROM THE REQUIREMENTS DETAILED HEREIN, A LICENSED ENGINEER OR ARCHITECT SHALL PREPARE SITE SPECIFIC DOCUMENTS FOR USE WITH THIS DOCUMENT.



FL #:

FL24230

DATE: **10.12.17**

DWG. BY: **AG** CHK. BY: **HFN**

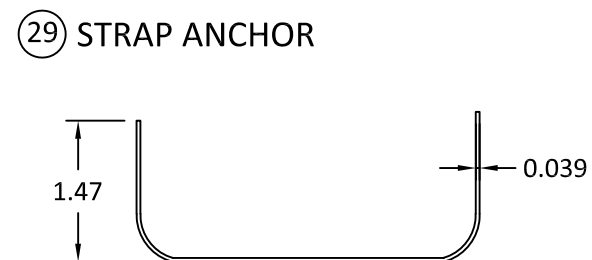
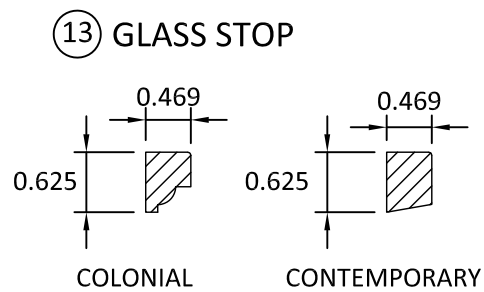
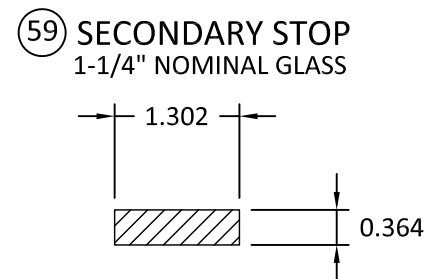
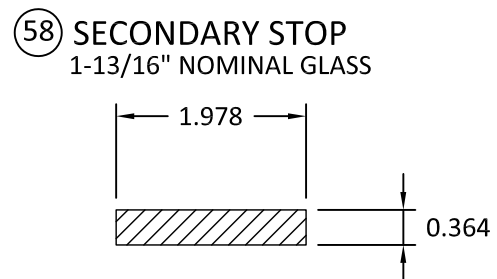
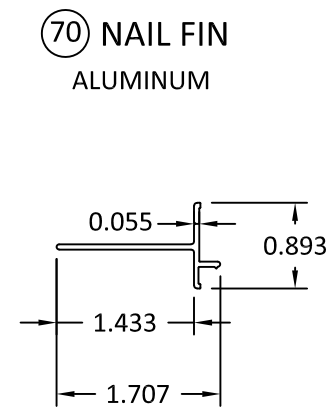
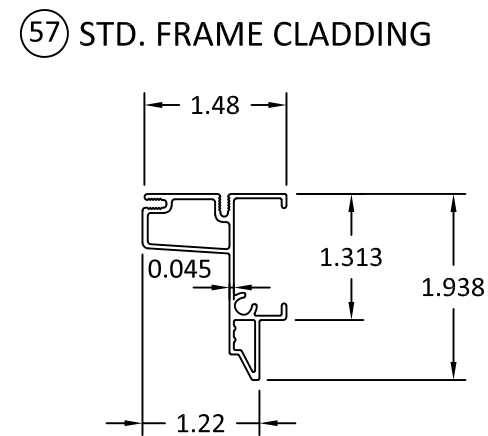
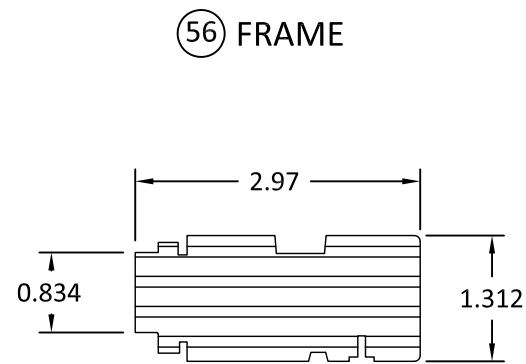
SCALE: **NTS**

DWG. #: **AWD208**

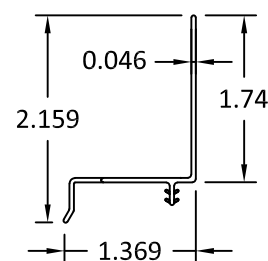
SHEET: **10**

BILL OF MATERIALS

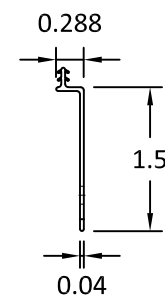
ITEM	DESCRIPTION	MATERIAL
A	3/8" MAX. SHIM SPACE	WOOD
C	1X BUCK (SG>=0.55)	WOOD
D	2X BUCK (SG>=0.55)	WOOD
E	1/4" X 2-3/4" PFH ELCO OR ITW CONCRETE SCREW	STEEL
F	MASONRY - 3,000 PSI MIN CONCRETE CONFORMING TO ACI 301 OR HOLLOW BLOCK CONFORMING TO ASTM C90	CONCRETE
G	1/4" X 3-3/4" PFH WOOD SCREW	STEEL
H	#10 X 3" PFH WOOD SCREW	STEEL
4	18GA X 1-1/4" BRAD TRIM NAIL	STEEL
13	GLASS STOP (PINE)	WOOD
27	POLYETHYLENE FOAM TAPE	-
29	STRAP ANCHOR	STEEL
37	#8 X 5/8" PFH SMS	STEEL
38	#8 X 2" PFH SMS	STEEL
46	GLAZING TAPE .094" x 2.65" BUTYL TAPE	-
56	FRAME	LVL
57	STD. FRAME CLADDING	6063-T5
58	SECONDARY STOP (PINE)	WOOD
59	SECONDARY STOP (PINE)	WOOD
70	ALUMINUM NAIL FIN	6063-T5
71	#8 X 1-1/2" PFH SMS	STEEL
72	#8 X 1/2" PPH TEK SCREW	STEEL
90	1-1/2" INTERIOR COLONIAL MDL BAR	WOOD
91	1-1/2" EXTERIOR MDL BAR	6063-T5
92	1-1/2" MDL ADHESIVE TAPE (EXTERIOR FACE)	POLYETHYLENE
93	1-1/2" MDL ADHESIVE TAPE (INTERIOR FACE)	POLYETHYLENE
94	1-1/8" INTERIOR COLONIAL MDL BAR	WOOD
95	1-1/8" EXTERIOR MDL BAR	6063-T5
96	1-1/8" MDL ADHESIVE TAPE (EXTERIOR FACE)	POLYETHYLENE
97	1-1/8" MDL ADHESIVE TAPE (INTERIOR FACE)	POLYETHYLENE
98	7/8" INTERIOR COLONIAL MDL BAR	WOOD
99	7/8" EXTERIOR MDL BAR	6063-T5
100	7/8" MDL ADHESIVE TAPE (EXTERIOR FACE)	POLYETHYLENE
101	7/8" MDL ADHESIVE TAPE (INTERIOR FACE)	POLYETHYLENE
102	VINYL NAIL FIN	VINYL
103	VINYL NAIL FIN	VINYL



(102) NAIL FIN W/ DRIP EDGE VINYL



(103) NAIL FIN VINYL



100 FOURTH AVE NORTH
BAYPORT, MN 55003-1096
PH: (651) 264-5150 FX: (651) 264-5485

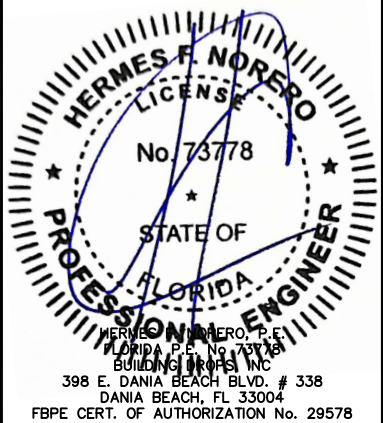
TITLE: E-SERIES SPECIALTY FIXED WINDOW (NON-HVHZ) (NON-IMPACT) COMPONENTS AND BILL OF MATERIALS

PREPARED BY: BUILDING DROPS, INC.
398 E. DANIA BEACH BLVD., STE. 338
DANIA BEACH, FL 33004
PH: (954) 399-8478
FAX: (954) 744-4738
WEB: www.buildingdrops.com



REMARKS	BY	DATE
1/2" LVL MULL ADDITION	HR	4.3.19
ADDED MULL & DP CHARTS	LL	7.15.19
7TH FBC CODE CHANGE	NUS	6.28.20
2023 FBC CODE CHANGE	MS	5/31/23

THE INSTALLATION DETAILS DESCRIBED HEREIN ARE GENERIC AND MAY NOT REFLECT ACTUAL CONDITIONS FOR A SPECIFIC SITE. IF SITE CONDITIONS CAUSE INSTALLATION TO DEVIATE FROM THE REQUIREMENTS DETAILED HEREIN, A LICENSED ENGINEER OR ARCHITECT SHALL PREPARE SITE SPECIFIC DOCUMENTS FOR USE WITH THIS DOCUMENT.



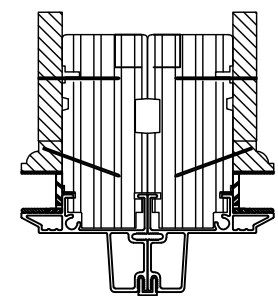
FL #:	FL24230
DATE:	10.12.17
DWG. BY:	AG
CHK. BY:	HFN
SCALE:	NTS
DWG. #:	AWD208
SHEET:	

6/8/2023 5:58 PM

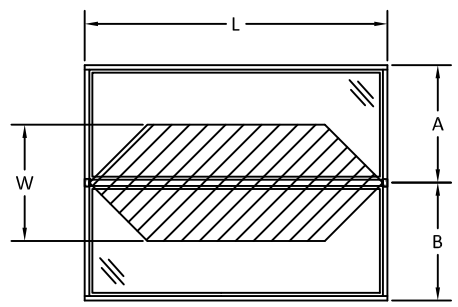
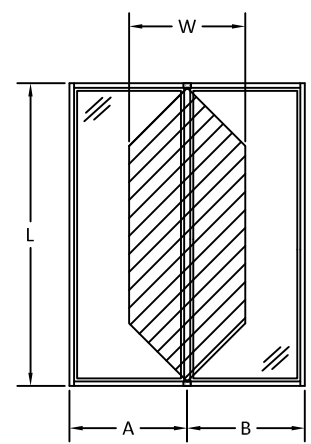
s:\projects\andersen\windows\cc-23-0406 - fbc 2023 code change (8th edition)\124230\dwgs\awd208 - e-series specialty fixed window (non-hvhl)(non-impact).dwg

**MAXIMUM DESIGN PRESSURE CAPACITY CHART (PSF)
ZERO STRUCTURAL MULLION (ONE-WAY) CONFIGURATION**

L - Mull Length (in)	W - Tributary Width (in)														
	24.0	36.0	48.0	60.0	72.0	84.0	96.0	108.0	120.0	132.0	144.0	156.0	168.0	180.0	192.0
24.0	75.00	75.00	75.00	75.00	75.00	75.00	75.00	75.00	75.00	75.00	75.00	75.00	75.00	75.00	75.00
30.0	75.00	75.00	75.00	75.00	75.00	75.00	75.00	75.00	75.00	75.00	75.00	75.00	75.00	75.00	75.00
36.0	75.00	75.00	75.00	75.00	75.00	75.00	75.00	75.00	75.00	75.00	75.00	75.00	75.00	75.00	75.00
42.0	69.79	54.93	53.33	53.33	53.33	53.33	53.33	53.33	53.33	53.33	53.33	53.33	53.33	53.33	53.33
48.0	51.95	39.07	35.73	35.73	35.73	35.73	35.73	35.73	35.73	35.73	35.73	35.73	35.73	35.73	35.73
54.0	40.29	29.44	25.55	25.09	25.09	25.09	25.09	25.09	25.09	25.09	25.09	25.09	25.09	25.09	25.09
60.0	32.20	23.09	19.37	18.29	18.29	18.29	18.29	18.29	18.29	18.29	18.29	18.29	18.29	18.29	18.29
66.0	26.36	18.64	15.29	13.91	13.74	13.74	13.74	13.74	13.74	13.74	13.74	13.74	13.74	13.74	13.74
72.0	21.99	15.39	12.42	11.02	10.59	10.59	10.59	10.59	10.59	10.59	10.59	10.59	10.59	10.59	10.59
78.0	18.63	12.94	10.32	8.99	8.40	8.33	8.33	8.33	8.33	8.33	8.33	8.33	8.33	8.33	8.33
84.0	15.99	11.05	8.72	7.49	6.87	6.67	6.67	6.67	6.67	6.67	6.67	6.67	6.67	6.67	6.67
90.0	13.88	9.54	7.48	6.36	5.74	5.46	5.42	5.42	5.42	5.42	5.42	5.42	5.42	5.42	5.42
96.0	12.17	8.33	6.49	5.47	4.88	4.57	4.47	4.47	4.47	4.47	4.47	4.47	4.47	4.47	4.47
102.0	10.75	7.34	5.69	4.77	4.21	3.89	3.74	3.72	3.72	3.72	3.72	3.72	3.72	3.72	3.72
108.0	9.57	6.52	5.04	4.19	3.68	3.37	3.19	3.14	3.14	3.14	3.14	3.14	3.14	3.14	3.14
114.0	8.58	5.83	4.49	3.72	3.25	2.94	2.76	2.68	2.67	2.67	2.67	2.67	2.67	2.67	2.67
120.0	7.73	5.24	4.03	3.32	2.89	2.60	2.42	2.32	2.29	2.29	2.29	2.29	2.29	2.29	2.29
126.0	7.00	4.74	3.63	2.99	2.58	2.32	2.14	2.03	1.98	1.98	1.98	1.98	1.98	1.98	1.98
132.0	6.37	4.31	3.30	2.71	2.33	2.08	1.91	1.80	1.74	1.72	1.72	1.72	1.72	1.72	1.72
138.0	5.82	3.93	3.00	2.46	2.11	1.88	1.72	1.61	1.54	1.51	1.50	1.50	1.50	1.50	1.50
144.0	5.34	3.61	2.75	2.25	1.92	1.70	1.55	1.45	1.38	1.34	1.32	1.32	1.32	1.32	1.32
150.0	4.92	3.32	2.53	2.06	1.76	1.56	1.41	1.31	1.24	1.20	1.17	1.17	1.17	1.17	1.17
156.0	4.55	3.06	2.33	1.90	1.62	1.43	1.29	1.19	1.12	1.08	1.05	1.04	1.04	1.04	1.04
162.0	4.21	2.84	2.15	1.75	1.49	1.31	1.18	1.09	1.02	0.98	0.95	0.93	0.93	0.93	0.93
168.0	3.92	2.63	2.00	1.62	1.38	1.21	1.09	1.00	0.94	0.89	0.86	0.84	0.83	0.83	0.83
174.0	3.65	2.45	1.86	1.51	1.28	1.12	1.01	0.92	0.86	0.82	0.78	0.76	0.75	0.75	0.75
180.0	3.41	2.29	1.74	1.41	1.19	1.04	0.94	0.86	0.79	0.75	0.72	0.70	0.68	0.68	0.68
186.0	3.19	2.14	1.62	1.31	1.11	0.97	0.87	0.79	0.74	0.69	0.66	0.64	0.62	0.62	0.61
192.0	2.95	1.98	1.51	1.22	1.04	0.91	0.81	0.74	0.68	0.64	0.61	0.59	0.57	0.56	0.56



ZERO MULLION PROFILE



$$\frac{A + B}{2} = W$$

- NOTE:**
- 1) MULLION CHART APPLIES TO ZERO MULL ASSEMBLIES, WHEN MULLED IN ONE-WAY CONFIGURATIONS.
 - 2) DESIGN PRESSURE VALUES ARE POSITIVE AND NEGATIVE IN PSF.
 - 3) MAXIMUM DEFLECTION HAS BEEN LIMITED TO L/175.
 - 4) DESIGN PRESSURE OF ASSEMBLY IS LIMITED TO THE LESSER DESIGN PRESSURE OF THE MULLION ASSEMBLY OR THE INDIVIDUAL UNIT OF INSTALLATION. ADJACENT E-SERIES WINDOWS OR DOORS SHALL BE UNDER SEPARATE FL APPROVAL.
 - 5) MULLION CHART APPLIES TO THE INSTALLATION CONDITIONS LISTED ON SHEET 10
 - 6) TRIBUTARY WIDTH = $W = (A+B)/2$
 - 7) WHEN WINDOWS ARE STACKED VERTICALLY, THE MANUFACTURER/INSTALLER SHALL ENSURE THAT THE WEIGHT OF UNITS ABOVE WILL NOT CAUSE DEFLECTIONS OR STRESSES WHICH WILL AFFECT OPERATION OR STRUCTURAL ADEQUACY OF UNITS BELOW.



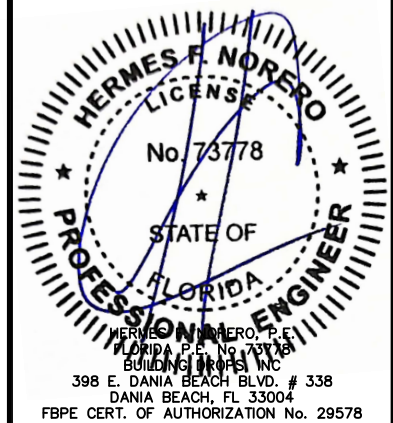
100 FOURTH AVE NORTH
BAYPORT, MN 55003-1096
PH: (651) 264-5150 FX: (651) 264-5485

TITLE: E-SERIES SPECIALTY FIXED WINDOW (NON-HVHZ) (NON-IMPACT)
ZERO MULLION LOADS TABLE - ONE WAY

PREPARED BY: BUILDING DROPS, INC.
398 E. DANIA BEACH BLVD., STE. 338
DANIA BEACH, FL 33004
PH: (954) 399-8478
FAX: (954) 744-4738
WEB: www.buildingdrops.com

REMARKS	BY	DATE
1/2" LVL MULL ADDITION	HR	4.3.19
ADDED MULL & DP CHARTS	LL	7.15.19
7TH FBC CODE CHANGE	NUS	6.28.20
2023 FBC CODE CHANGE	MS	5/31/23

THE INSTALLATION DETAILS DESCRIBED HEREIN ARE GENERIC AND MAY NOT REFLECT ACTUAL CONDITIONS FOR A SPECIFIC SITE. IF SITE CONDITIONS CAUSE INSTALLATION TO DEVIATE FROM THE REQUIREMENTS DETAILED HEREIN, A LICENSED ENGINEER OR ARCHITECT SHALL PREPARE SITE SPECIFIC DOCUMENTS FOR USE WITH THIS DOCUMENT.



FL #: **FL24230**

DATE: **10.12.17**

DWG. BY: **AG** CHK. BY: **HFN**

SCALE: **NTS**

DWG. #: **AWD208**

SHEET:



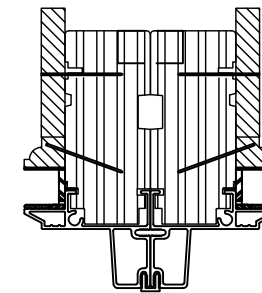
100 FOURTH AVE NORTH
BAYPORT, MN 55003-1096
PH: (651) 264-5150 FX: (651) 264-5485

TITLE: E-SERIES SPECIALTY FIXED WINDOW (NON-HVHZ) (NON-IMPACT)
ZERO MULLION LOADS TABLE - TWO WAY

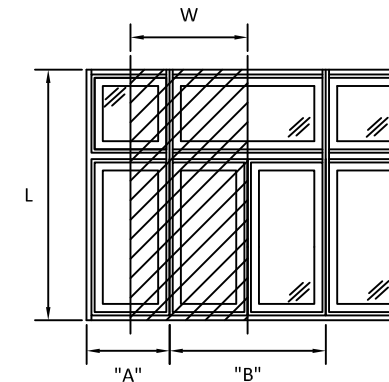
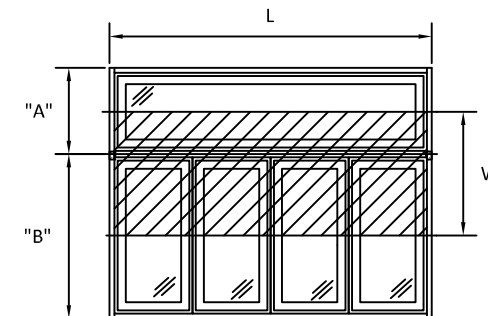
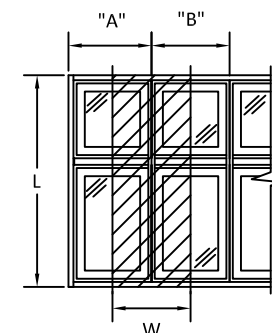
PREPARED BY:
BUILDING DROPS, INC.
398 E. DANIA BEACH BLVD., STE. 338
DANIA BEACH, FL 33004
PH: (954) 399-8478
FAX: (954) 744-4738
WEB: www.buildingdrops.com

**MAXIMUM DESIGN PRESSURE CAPACITY CHART (PSF)
ZERO STRUCTURAL MULLION (TWO-WAY) CONFIGURATION**

L - Mull Length (in)	W - Tributary Width (in)														
	24.0	36.0	48.0	60.0	72.0	84.0	96.0	108.0	120.0	132.0	144.0	156.0	168.0	180.0	192.0
24.0	75.00	75.00	75.00	75.00	63.52	54.45	47.64	42.35	38.11	34.65	31.76	29.32	27.22	25.41	23.82
30.0	75.00	75.00	60.98	48.78	40.65	34.85	30.49	27.10	24.39	22.17	20.33	18.76	17.42	16.26	15.24
36.0	75.00	56.46	42.35	33.88	28.23	24.20	21.17	18.82	16.94	15.40	14.12	13.03	12.10	11.29	10.59
42.0	62.22	41.48	31.11	24.89	20.74	17.78	15.56	13.83	12.44	11.31	10.37	9.57	8.89	8.30	7.78
48.0	47.64	31.76	23.82	19.06	15.88	13.61	11.91	10.59	9.53	8.66	7.94	7.33	6.81	6.35	5.96
54.0	37.64	25.09	18.82	15.06	12.55	10.75	9.41	8.36	7.53	6.84	6.27	5.79	5.38	5.02	4.71
60.0	30.49	20.33	15.24	12.20	10.16	8.71	7.62	6.78	6.10	5.54	5.08	4.69	4.36	4.07	3.81
66.0	25.20	16.80	12.60	10.08	8.40	7.20	6.30	5.60	5.04	4.58	4.20	3.88	3.60	3.36	3.15
72.0	21.17	14.12	10.59	8.47	7.06	6.05	5.29	4.71	4.23	3.85	3.53	3.26	3.02	2.82	2.65
78.0	18.04	12.03	9.02	7.22	6.01	5.15	4.51	4.01	3.61	3.28	3.01	2.78	2.58	2.41	2.26
84.0	15.56	10.37	7.78	6.22	5.19	4.44	3.89	3.46	3.11	2.83	2.59	2.39	2.22	2.07	1.94
90.0	13.55	9.03	6.78	5.42	4.52	3.87	3.39	3.01	2.71	2.46	2.26	2.08	1.94	1.81	1.69
96.0	11.91	7.94	5.96	4.76	3.97	3.40	2.98	2.65	2.38	2.17	1.99	1.83	1.70	1.59	1.49
102.0	10.55	7.03	5.28	4.22	3.52	3.01	2.64	2.34	2.11	1.92	1.76	1.62	1.51	1.41	1.32
108.0	9.41	6.27	4.71	3.76	3.14	2.69	2.35	2.09	1.88	1.71	1.57	1.45	1.34	1.25	1.18
114.0	8.45	5.63	4.22	3.38	2.82	2.41	2.11	1.88	1.69	1.54	1.41	1.30	1.21	1.13	1.06
120.0	7.62	5.08	3.81	3.05	2.54	2.18	1.91	1.69	1.52	1.39	1.27	1.17	1.09	1.02	0.95
126.0	6.91	4.61	3.46	2.77	2.30	1.98	1.73	1.54	1.38	1.26	1.15	1.06	0.99	0.92	0.86
132.0	6.30	4.20	3.15	2.52	2.10	1.80	1.57	1.40	1.26	1.15	1.05	0.97	0.90	0.84	0.79
138.0	5.76	3.84	2.88	2.31	1.92	1.65	1.44	1.28	1.15	1.05	0.96	0.89	0.82	0.77	0.72
144.0	5.29	3.53	2.65	2.12	1.76	1.51	1.32	1.18	1.06	0.96	0.88	0.81	0.76	0.71	0.66
150.0	4.88	3.25	2.44	1.95	1.63	1.39	1.22	1.08	0.98	0.89	0.81	0.75	0.70	0.65	0.61
156.0	4.51	3.01	2.26	1.80	1.50	1.29	1.13	1.00	0.90	0.82	0.75	0.69	0.64	0.60	0.56
162.0	4.18	2.79	2.09	1.67	1.39	1.19	1.05	0.93	0.84	0.76	0.70	0.64	0.60	0.56	0.52
168.0	3.89	2.59	1.94	1.56	1.30	1.11	0.97	0.86	0.78	0.71	0.65	0.60	0.56	0.52	0.49
174.0	3.63	2.42	1.81	1.45	1.21	1.04	0.91	0.81	0.73	0.66	0.60	0.56	0.52	0.48	0.45
180.0	3.39	2.26	1.69	1.36	1.13	0.97	0.85	0.75	0.68	0.62	0.56	0.52	0.48	0.45	0.42
186.0	3.17	2.12	1.59	1.27	1.06	0.91	0.79	0.71	0.63	0.58	0.53	0.49	0.45	0.42	0.40
192.0	2.94	1.96	1.47	1.17	0.98	0.84	0.73	0.65	0.59	0.53	0.49	0.45	0.42	0.39	0.37



ZERO MULLION PROFILE



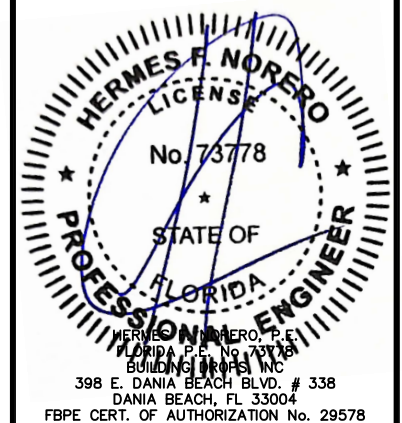
$A + B = W$
2

NOTE:

- 1) MULLION CHART APPLIES TO ZERO MULL ASSEMBLIES, WHEN MULLED IN TWO-WAY CONFIGURATIONS.
- 2) DESIGN PRESSURE VALUES ARE POSITIVE AND NEGATIVE IN PSF.
- 3) MAXIMUM DEFLECTION HAS BEEN LIMITED TO L/175.
- 4) DESIGN PRESSURE OF ASSEMBLY IS LIMITED TO THE LESSER DESIGN PRESSURE OF THE MULLION ASSEMBLY OR THE INDIVIDUAL UNIT OF INSTALLATION. ADJACENT E-SERIES WINDOWS OR DOORS SHALL BE UNDER SEPARATE FL APPROVAL.
- 5) MULLION CHART APPLIES TO THE INSTALLATION CONDITIONS LISTED ON SHEET 10
- 6) TRIBUTARY WIDTH = $W = (A+B)/2$
- 7) WHEN WINDOWS ARE STACKED VERTICALLY, THE MANUFACTURER/INSTALLER SHALL ENSURE THAT THE WEIGHT OF UNITS ABOVE WILL NOT CAUSE DEFLECTIONS OR STRESSES WHICH WILL AFFECT OPERATION OR STRUCTURAL ADEQUACY OF UNITS BELOW.

REMARKS	BY	DATE
1/2" LVL MULL ADDITION	HR	4.3.19
ADDED MULL & DP CHARTS	LL	7.15.19
7TH FBC CODE CHANGE	NUS	6.28.20
2023 FBC CODE CHANGE	MS	5/31/23

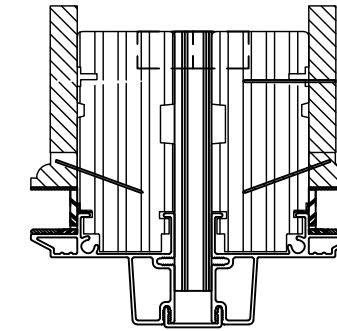
THE INSTALLATION DETAILS DESCRIBED HEREIN ARE GENERIC AND MAY NOT REFLECT ACTUAL CONDITIONS FOR A SPECIFIC SITE. IF SITE CONDITIONS CAUSE INSTALLATION TO DEVIATE FROM THE REQUIREMENTS DETAILED HEREIN, A LICENSED ENGINEER OR ARCHITECT SHALL PREPARE SITE SPECIFIC DOCUMENTS FOR USE WITH THIS DOCUMENT.



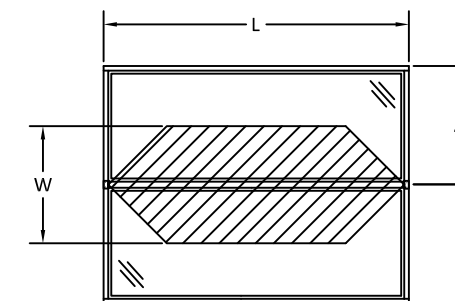
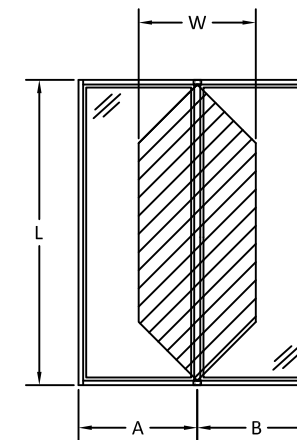
FL #:	FL24230
DATE:	10.12.17
DWG. BY:	AG
CHK. BY:	HFN
SCALE:	NTS
DWG. #:	AWD208
SHEET:	13

**MAXIMUM DESIGN PRESSURE CAPACITY CHART (PSF)
1/2" x 3-1/2" STRUCTURAL MULLION (ONE-WAY) CONFIGURATION**

L - Mull Length (in)	W - Tributary Width (in)														
	24.0	36.0	48.0	60.0	72.0	84.0	96.0	108.0	120.0	132.0	144.0	156.0	168.0	180.0	192.0
24.0	75.00	75.00	75.00	75.00	75.00	75.00	75.00	75.00	75.00	75.00	75.00	75.00	75.00	75.00	75.00
30.0	75.00	75.00	75.00	75.00	75.00	75.00	75.00	75.00	75.00	75.00	75.00	75.00	75.00	75.00	75.00
36.0	75.00	75.00	75.00	75.00	75.00	75.00	75.00	75.00	75.00	75.00	75.00	75.00	75.00	75.00	75.00
42.0	75.00	75.00	75.00	75.00	75.00	75.00	75.00	75.00	75.00	75.00	75.00	75.00	75.00	75.00	75.00
48.0	75.00	75.00	75.00	75.00	75.00	75.00	75.00	75.00	75.00	75.00	75.00	75.00	75.00	75.00	75.00
54.0	75.00	75.00	75.00	75.00	75.00	75.00	75.00	75.00	75.00	75.00	75.00	75.00	75.00	75.00	75.00
60.0	75.00	75.00	74.58	70.42	70.42	70.42	70.42	70.42	70.42	70.42	70.42	70.42	70.42	70.42	70.42
66.0	75.00	71.75	58.85	53.56	52.91	52.91	52.91	52.91	52.91	52.91	52.91	52.91	52.91	52.91	52.91
72.0	75.00	59.25	47.81	42.41	40.75	40.75	40.75	40.75	40.75	40.75	40.75	40.75	40.75	40.75	40.75
78.0	66.62	46.64	37.50	32.98	31.07	30.82	30.82	30.82	30.82	30.82	30.82	30.82	30.82	30.82	30.82
84.0	53.05	36.89	29.37	25.45	23.52	22.91	22.91	22.91	22.91	22.91	22.91	22.91	22.91	22.91	22.91
90.0	42.94	29.70	23.46	20.10	18.29	17.50	17.39	17.39	17.39	17.39	17.39	17.39	17.39	17.39	17.39
96.0	35.26	24.28	19.05	16.18	14.55	13.71	13.43	13.43	13.43	13.43	13.43	13.43	13.43	13.43	13.43
102.0	29.30	20.11	15.70	13.23	11.78	10.96	10.59	10.54	10.54	10.54	10.54	10.54	10.54	10.54	10.54
108.0	24.62	16.85	13.09	10.97	9.69	8.93	8.52	8.39	8.39	8.39	8.39	8.39	8.39	8.39	8.39
114.0	20.89	14.26	11.04	9.20	8.08	7.38	6.97	6.78	6.75	6.75	6.75	6.75	6.75	6.75	6.75
120.0	17.88	12.17	9.40	7.80	6.81	6.18	5.79	5.57	5.50	5.50	5.50	5.50	5.50	5.50	5.50
126.0	15.42	10.48	8.07	6.68	5.80	5.23	4.86	4.65	4.54	4.53	4.53	4.53	4.53	4.53	4.53
132.0	13.39	9.09	6.98	5.76	4.98	4.47	4.13	3.92	3.80	3.76	3.76	3.76	3.76	3.76	3.76
138.0	11.71	7.93	6.08	5.00	4.32	3.86	3.55	3.34	3.22	3.15	3.15	3.15	3.15	3.15	3.15
144.0	10.29	6.96	5.33	4.38	3.76	3.35	3.07	2.87	2.75	2.68	2.65	2.65	2.65	2.65	2.65
150.0	9.10	6.15	4.70	3.85	3.30	2.93	2.67	2.49	2.37	2.30	2.26	2.25	2.25	2.25	2.25
156.0	8.08	5.46	4.16	3.41	2.91	2.58	2.34	2.18	2.06	1.99	1.94	1.93	1.93	1.93	1.93
162.0	7.21	4.86	3.71	3.03	2.59	2.28	2.07	1.91	1.80	1.73	1.68	1.66	1.66	1.66	1.66
168.0	6.46	4.35	3.32	2.70	2.31	2.03	1.84	1.69	1.59	1.52	1.47	1.44	1.43	1.43	1.43
174.0	5.81	3.91	2.98	2.42	2.06	1.82	1.64	1.51	1.41	1.34	1.29	1.26	1.25	1.24	1.24
180.0	5.25	3.53	2.68	2.18	1.86	1.63	1.47	1.35	1.26	1.19	1.14	1.11	1.09	1.09	1.09
186.0	4.75	3.20	2.43	1.97	1.68	1.47	1.32	1.21	1.12	1.06	1.02	0.99	0.97	0.95	0.95
192.0	4.32	2.90	2.20	1.79	1.52	1.33	1.19	1.09	1.01	0.95	0.91	0.88	0.86	0.84	0.84



**1/2" X 3 1/2"
LVL MULL PROFILE**



$$\frac{A + B}{2} = W$$

NOTE:

- 1) MULLION CHART APPLIES TO 1/2" X 3 1/2" LVL MULL ASSEMBLIES, WHEN MULLED IN ONE-WAY CONFIGURATIONS.
- 2) DESIGN PRESSURE VALUES ARE POSITIVE AND NEGATIVE IN PSF.
- 3) MAXIMUM DEFLECTION HAS BEEN LIMITED TO L/175.
- 4) DESIGN PRESSURE OF ASSEMBLY IS LIMITED TO THE LESSER DESIGN PRESSURE OF THE MULLION ASSEMBLY OR THE INDIVIDUAL UNIT OF INSTALLATION. ADJACENT E-SERIES WINDOWS OR DOORS SHALL BE UNDER SEPARATE FL APPROVAL.
- 5) MULLION CHART APPLIES TO THE INSTALLATION CONDITIONS LISTED ON SHEET 10
- 6) TRIBUTARY WIDTH = $W = (A+B)/2$
- 7) WHEN WINDOWS ARE STACKED VERTICALLY, THE MANUFACTURER/INSTALLER SHALL ENSURE THAT THE WEIGHT OF UNITS ABOVE WILL NOT CAUSE DEFLECTIONS OR STRESSES WHICH WILL AFFECT OPERATION OR STRUCTURAL ADEQUACY OF UNITS BELOW.

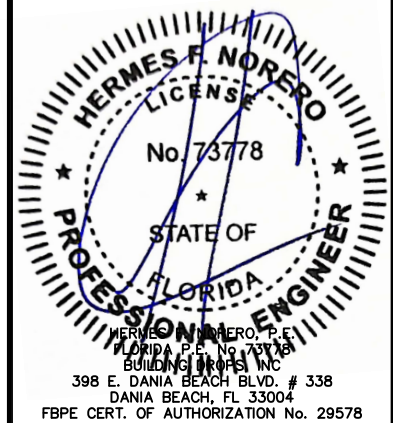


100 FOURTH AVE NORTH
BAYPORT, MN 55003-1096
PH: (651) 264-5150 FX: (651) 264-5485

TITLE: E-SERIES SPECIALTY FIXED WINDOW (NON-HVHZ) (NON-IMPACT)
1/2" X 3 1/2" MULLION LOADS TABLE - ONE WAY
PREPARED BY: BUILDING DROPS, INC.
398 E. DANIA BEACH BLVD., STE. 338
DANIA BEACH, FL 33004
PH: (954) 399-8478
FAX: (954) 744-4738
WEB: www.buildingdrops.com

REMARKS	BY	DATE
1/2" LVL MULL ADDITION	HR	4.3.19
ADDED MULL & DP CHARTS	LL	7.15.19
7TH FBC CODE CHANGE	NUS	6.28.20
2023 FBC CODE CHANGE	MS	5/31/23

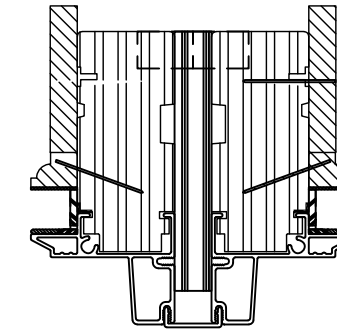
THE INSTALLATION DETAILS DESCRIBED HEREIN ARE GENERIC AND MAY NOT REFLECT ACTUAL CONDITIONS FOR A SPECIFIC SITE. IF SITE CONDITIONS CAUSE INSTALLATION TO DEVIATE FROM THE REQUIREMENTS DETAILED HEREIN, A LICENSED ENGINEER OR ARCHITECT SHALL PREPARE SITE SPECIFIC DOCUMENTS FOR USE WITH THIS DOCUMENT.



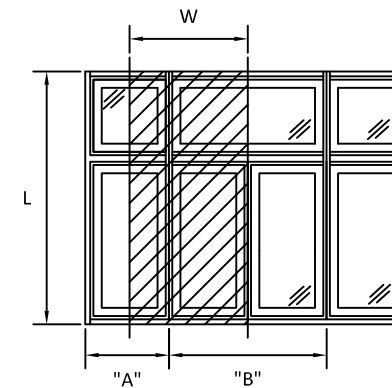
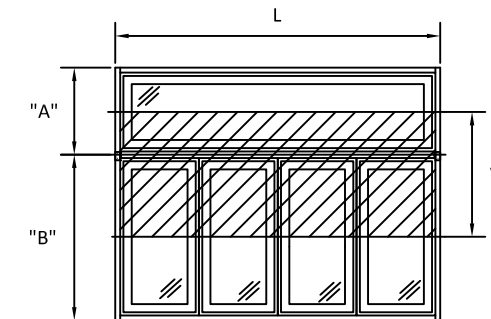
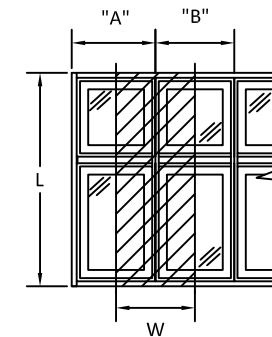
FL #: **FL24230**
DATE: **10.12.17**
DWG. BY: **AG** CHK. BY: **HFN**
SCALE: **NTS**
DWG. #: **AWD208**
SHEET: **14** OF 29

MAXIMUM DESIGN PRESSURE CAPACITY CHART (PSF)
1/2" X 3-1/2" STRUCTURAL MULLION (TWO-WAY) CONFIGURATION

L - Mull Length (in)	W - Tributary Width (in)														
	24.0	36.0	48.0	60.0	72.0	84.0	96.0	108.0	120.0	132.0	144.0	156.0	168.0	180.0	192.0
24.0	75.00	75.00	75.00	75.00	75.00	66.86	58.50	52.00	46.80	42.55	39.00	36.00	33.43	31.20	29.25
30.0	75.00	75.00	75.00	74.88	62.40	53.49	46.80	41.60	37.44	34.04	31.20	28.80	26.74	24.96	23.40
36.0	75.00	75.00	75.00	62.40	52.00	44.57	39.00	34.67	31.20	28.36	26.00	24.00	22.29	20.80	19.50
42.0	75.00	75.00	66.86	53.49	44.57	38.20	33.43	29.71	26.74	24.31	22.29	20.57	19.10	17.83	16.71
48.0	75.00	75.00	58.50	46.80	39.00	33.43	29.25	26.00	23.40	21.27	19.50	18.00	16.71	15.60	14.63
54.0	75.00	69.33	52.00	41.60	34.67	29.71	26.00	23.11	20.80	18.91	17.33	16.00	14.86	13.87	13.00
60.0	75.00	62.40	46.80	37.44	31.20	26.74	23.40	20.80	18.72	17.02	15.60	14.40	13.37	12.48	11.70
66.0	75.00	56.73	42.55	34.04	28.36	24.31	21.27	18.91	17.02	15.47	14.18	13.09	12.16	11.35	10.64
72.0	75.00	52.00	39.00	31.20	26.00	22.29	19.50	17.33	15.60	14.18	13.00	12.00	11.14	10.40	9.75
78.0	64.10	42.74	32.05	25.64	21.37	18.32	16.03	14.25	12.82	11.66	10.68	9.86	9.16	8.55	8.01
84.0	51.33	34.22	25.66	20.53	17.11	14.66	12.83	11.41	10.27	9.33	8.55	7.90	7.33	6.84	6.42
90.0	41.73	27.82	20.86	16.69	13.91	11.92	10.43	9.27	8.35	7.59	6.95	6.42	5.96	5.56	5.22
96.0	34.38	22.92	17.19	13.75	11.46	9.82	8.60	7.64	6.88	6.25	5.73	5.29	4.91	4.58	4.30
102.0	28.67	19.11	14.33	11.47	9.56	8.19	7.17	6.37	5.73	5.21	4.78	4.41	4.10	3.82	3.58
108.0	24.15	16.10	12.07	9.66	8.05	6.90	6.04	5.37	4.83	4.39	4.02	3.72	3.45	3.22	3.02
114.0	20.53	13.69	10.27	8.21	6.84	5.87	5.13	4.56	4.11	3.73	3.42	3.16	2.93	2.74	2.57
120.0	17.60	11.74	8.80	7.04	5.87	5.03	4.40	3.91	3.52	3.20	2.93	2.71	2.51	2.35	2.20
126.0	15.21	10.14	7.60	6.08	5.07	4.35	3.80	3.38	3.04	2.77	2.53	2.34	2.17	2.03	1.90
132.0	13.23	8.82	6.61	5.29	4.41	3.78	3.31	2.94	2.65	2.40	2.20	2.03	1.89	1.76	1.65
138.0	11.58	7.72	5.79	4.63	3.86	3.31	2.89	2.57	2.32	2.10	1.93	1.78	1.65	1.54	1.45
144.0	10.19	6.79	5.09	4.08	3.40	2.91	2.55	2.26	2.04	1.85	1.70	1.57	1.46	1.36	1.27
150.0	9.01	6.01	4.51	3.61	3.00	2.58	2.25	2.00	1.80	1.64	1.50	1.39	1.29	1.20	1.13
156.0	8.01	5.34	4.01	3.21	2.67	2.29	2.00	1.78	1.60	1.46	1.34	1.23	1.14	1.07	1.00
162.0	7.16	4.77	3.58	2.86	2.39	2.04	1.79	1.59	1.43	1.30	1.19	1.10	1.02	0.95	0.89
168.0	6.42	4.28	3.21	2.57	2.14	1.83	1.60	1.43	1.28	1.17	1.07	0.99	0.92	0.86	0.80
174.0	5.77	3.85	2.89	2.31	1.92	1.65	1.44	1.28	1.15	1.05	0.96	0.89	0.82	0.77	0.72
180.0	5.22	3.48	2.61	2.09	1.74	1.49	1.30	1.16	1.04	0.95	0.87	0.80	0.75	0.70	0.65
186.0	4.73	3.15	2.36	1.89	1.58	1.35	1.18	1.05	0.95	0.86	0.79	0.73	0.68	0.63	0.59
192.0	4.30	2.87	2.15	1.72	1.43	1.23	1.07	0.96	0.86	0.78	0.72	0.66	0.61	0.57	0.54



1/2" X 3 1/2"
LVL MULL PROFILE



$$\frac{A+B}{2} = W$$

- NOTE:**
- 1) MULLION CHART APPLIES TO 1/2" X 3 1/2" LVL MULL ASSEMBLIES, WHEN MULLED IN TWO-WAY CONFIGURATIONS.
 - 2) DESIGN PRESSURE VALUES ARE POSITIVE AND NEGATIVE IN PSF.
 - 3) MAXIMUM DEFLECTION HAS BEEN LIMITED TO L/175.
 - 4) DESIGN PRESSURE OF ASSEMBLY IS LIMITED TO THE LESSER DESIGN PRESSURE OF THE MULLION ASSEMBLY OR THE INDIVIDUAL UNIT OF INSTALLATION. ADJACENT E-SERIES WINDOWS OR DOORS SHALL BE UNDER SEPARATE FL APPROVAL.
 - 5) MULLION CHART APPLIES TO THE INSTALLATION CONDITIONS LISTED ON SHEET 10
 - 6) TRIBUTARY WIDTH = $W = (A+B)/2$
 - 7) WHEN WINDOWS ARE STACKED VERTICALLY, THE MANUFACTURER/INSTALLER SHALL ENSURE THAT THE WEIGHT OF UNITS ABOVE WILL NOT CAUSE DEFLECTIONS OR STRESSES WHICH WILL AFFECT OPERATION OR STRUCTURAL ADEQUACY OF UNITS BELOW.



100 FOURTH AVE NORTH
 BAYPORT, MN 55003-1096
 PH: (651) 264-5150 FX: (651) 264-5485

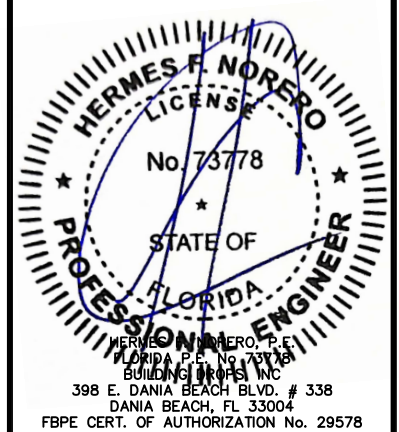
TITLE: E-SERIES SPECIALTY FIXED WINDOW
 (NON-HVHZ) (NON-IMPACT)
 1/2" X 3 1/2" MULLION LOADS TABLE - TWO
 WAY

PREPARED BY:
BUILDING DROPS, INC.
 398 E. DANIA BEACH BLVD., STE. 338
 DANIA BEACH, FL 33004
 PH: (954) 399-8478
 FAX: (954) 744-4738
 WEB: www.buildingdrops.com



REMARKS	BY	DATE
1/2" LVL MULL ADDITION	HR	4.3.19
ADDED MULL & DP CHARTS	LL	7.15.19
7TH FBC CODE CHANGE	NUS	6.28.20
2023 FBC CODE CHANGE	MS	5/31/23

THE INSTALLATION DETAILS DESCRIBED HEREIN ARE GENERIC AND MAY NOT REFLECT ACTUAL CONDITIONS FOR A SPECIFIC SITE. IF SITE CONDITIONS CAUSE INSTALLATION TO DEVIATE FROM THE REQUIREMENTS DETAILED HEREIN, A LICENSED ENGINEER OR ARCHITECT SHALL PREPARE SITE SPECIFIC DOCUMENTS FOR USE WITH THIS DOCUMENT.



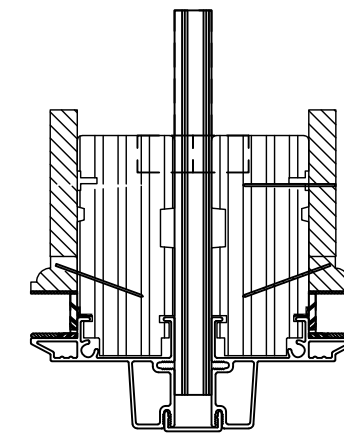
FL #:	FL24230
DATE:	10.12.17
DWG. BY:	AG
CHK. BY:	HFN
SCALE:	NTS
DWG. #:	AWD208
SHEET:	15

6/8/2023 5:58 PM

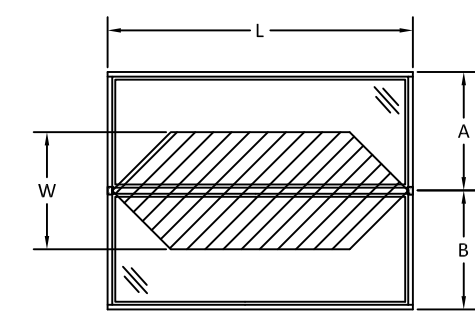
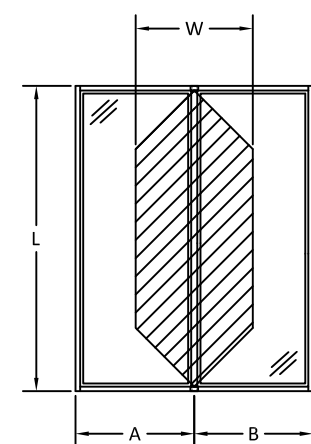
s:\projects\andersen windows\cc-23-0406 - fbc 2023 code change (8th edition)\124230\dwgs\awd208 - e-series specialty fixed window (non-hvhl)(non-impact).dwg

**MAXIMUM DESIGN PRESSURE CAPACITY CHART (PSF)
1/2" X 5-3/16" STRUCTURAL MULLION (ONE-WAY) CONFIGURATION**

L - Mull Length (in)	W - Tributary Width (in)														
	24.0	36.0	48.0	60.0	72.0	84.0	96.0	108.0	120.0	132.0	144.0	156.0	168.0	180.0	192.0
24.0	75.00	75.00	75.00	75.00	75.00	75.00	75.00	75.00	75.00	75.00	75.00	75.00	75.00	75.00	75.00
30.0	75.00	75.00	75.00	75.00	75.00	75.00	75.00	75.00	75.00	75.00	75.00	75.00	75.00	75.00	75.00
36.0	75.00	75.00	75.00	75.00	75.00	75.00	75.00	75.00	75.00	75.00	75.00	75.00	75.00	75.00	75.00
42.0	75.00	75.00	75.00	75.00	75.00	75.00	75.00	75.00	75.00	75.00	75.00	75.00	75.00	75.00	75.00
48.0	75.00	75.00	75.00	75.00	75.00	75.00	75.00	75.00	75.00	75.00	75.00	75.00	75.00	75.00	75.00
54.0	75.00	75.00	75.00	75.00	75.00	75.00	75.00	75.00	75.00	75.00	75.00	75.00	75.00	75.00	75.00
60.0	75.00	75.00	75.00	74.88	74.88	74.88	74.88	74.88	74.88	74.88	74.88	74.88	74.88	74.88	74.88
66.0	75.00	75.00	66.86	62.40	61.88	61.88	61.88	61.88	61.88	61.88	61.88	61.88	61.88	61.88	61.88
72.0	75.00	69.33	58.50	53.49	52.00	52.00	52.00	52.00	52.00	52.00	52.00	52.00	52.00	52.00	52.00
78.0	75.00	62.40	52.00	46.80	44.57	44.31	44.31	44.31	44.31	44.31	44.31	44.31	44.31	44.31	44.31
84.0	75.00	56.73	46.80	41.43	38.29	37.30	37.30	37.30	37.30	37.30	37.30	37.30	37.30	37.30	37.30
90.0	69.91	48.35	38.18	32.71	29.78	28.48	28.30	28.30	28.30	28.30	28.30	28.30	28.30	28.30	28.30
96.0	57.39	39.53	31.01	26.33	23.68	22.31	21.86	21.86	21.86	21.86	21.86	21.86	21.86	21.86	21.86
102.0	47.70	32.74	25.55	21.54	19.18	17.85	17.24	17.16	17.16	17.16	17.16	17.16	17.16	17.16	17.16
108.0	40.09	27.42	21.31	17.86	15.78	14.53	13.87	13.65	13.65	13.65	13.65	13.65	13.65	13.65	13.65
114.0	34.01	23.21	17.97	14.98	13.15	12.01	11.35	11.04	11.00	11.00	11.00	11.00	11.00	11.00	11.00
120.0	29.11	19.82	15.30	12.70	11.09	10.06	9.42	9.08	8.96	8.96	8.96	8.96	8.96	8.96	8.96
126.0	25.10	17.06	13.14	10.87	9.44	8.52	7.92	7.56	7.39	7.37	7.37	7.37	7.37	7.37	7.37
132.0	21.80	14.79	11.36	9.37	8.11	7.28	6.73	6.38	6.19	6.12	6.12	6.12	6.12	6.12	6.12
138.0	19.06	12.91	9.90	8.14	7.03	6.28	5.77	5.44	5.23	5.14	5.12	5.12	5.12	5.12	5.12
144.0	16.76	11.34	8.68	7.12	6.13	5.45	4.99	4.68	4.47	4.36	4.32	4.32	4.32	4.32	4.32
150.0	14.81	10.01	7.65	6.27	5.38	4.77	4.35	4.06	3.86	3.74	3.68	3.67	3.67	3.67	3.67
156.0	13.16	8.88	6.78	5.54	4.75	4.20	3.82	3.54	3.36	3.23	3.16	3.14	3.14	3.14	3.14
162.0	11.74	7.92	6.04	4.93	4.21	3.72	3.37	3.12	2.94	2.82	2.74	2.70	2.70	2.70	2.70
168.0	10.52	7.09	5.40	4.40	3.75	3.31	2.99	2.76	2.59	2.47	2.39	2.35	2.33	2.33	2.33
174.0	9.46	6.37	4.85	3.95	3.36	2.96	2.66	2.45	2.29	2.18	2.10	2.05	2.03	2.03	2.03
180.0	8.54	5.75	4.37	3.55	3.02	2.65	2.39	2.19	2.04	1.94	1.86	1.81	1.78	1.77	1.77
186.0	7.74	5.21	3.95	3.21	2.73	2.39	2.15	1.97	1.83	1.73	1.66	1.60	1.57	1.55	1.55
192.0	7.03	4.73	3.59	2.91	2.47	2.16	1.94	1.77	1.65	1.55	1.48	1.43	1.39	1.37	1.37



**1/2" X 5 3/16"
LVL MULL PROFILE**



$$\frac{A + B}{2} = W$$

- NOTE:**
- 1) MULLION CHART APPLIES TO 1/2" X 5 3/16" LVL MULL ASSEMBLIES, WHEN MULLED IN ONE-WAY CONFIGURATIONS.
 - 2) DESIGN PRESSURE VALUES ARE POSITIVE AND NEGATIVE IN PSF.
 - 3) MAXIMUM DEFLECTION HAS BEEN LIMITED TO L/175.
 - 4) DESIGN PRESSURE OF ASSEMBLY IS LIMITED TO THE LESSER DESIGN PRESSURE OF THE MULLION ASSEMBLY OR THE INDIVIDUAL UNIT OF INSTALLATION. ADJACENT E-SERIES WINDOWS OR DOORS SHALL BE UNDER SEPARATE FL APPROVAL.
 - 5) MULLION CHART APPLIES TO THE INSTALLATION CONDITIONS LISTED ON SHEET 10
 - 6) TRIBUTARY WIDTH = $W = (A+B)/2$
 - 7) WHEN WINDOWS ARE STACKED VERTICALLY, THE MANUFACTURER/INSTALLER SHALL ENSURE THAT THE WEIGHT OF UNITS ABOVE WILL NOT CAUSE DEFLECTIONS OR STRESSES WHICH WILL AFFECT OPERATION OR STRUCTURAL ADEQUACY OF UNITS BELOW.



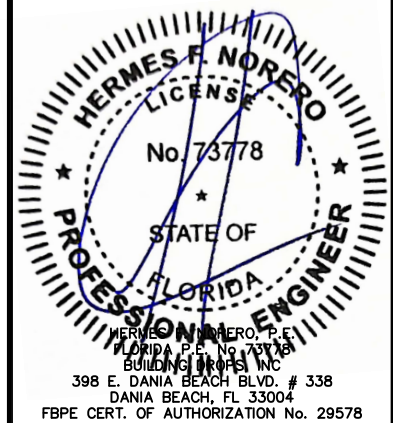
100 FOURTH AVE NORTH
BAYPORT, MN 55003-1096
PH: (651) 264-5150 FX: (651) 264-5485

TITLE: E-SERIES SPECIALTY FIXED WINDOW (NON-HVHZ) (NON-IMPACT)
1/2" X 5 3/16" MULLION LOADS TABLE - ONE WAY

PREPARED BY: BUILDING DROPS, INC.
398 E. DANIA BEACH BLVD., STE. 338
DANIA BEACH, FL 33004
PH: (954) 399-8478
FAX: (954) 744-4738
WEB: www.buildingdrops.com

REMARKS	BY	DATE
1/2" LVL MULL ADDITION	HR	4.3.19
ADDED MULL & DP CHARTS	LL	7.15.19
7TH FBC CODE CHANGE	NUS	6.28.20
2023 FBC CODE CHANGE	MS	5/31/23

THE INSTALLATION DETAILS DESCRIBED HEREIN ARE GENERIC AND MAY NOT REFLECT ACTUAL CONDITIONS FOR A SPECIFIC SITE. IF SITE CONDITIONS CAUSE INSTALLATION TO DEVIATE FROM THE REQUIREMENTS DETAILED HEREIN, A LICENSED ENGINEER OR ARCHITECT SHALL PREPARE SITE SPECIFIC DOCUMENTS FOR USE WITH THIS DOCUMENT.



FL #:
FL24230

DATE: **10.12.17**

DWG. BY: **AG** CHK. BY: **HFN**

SCALE: **NTS**

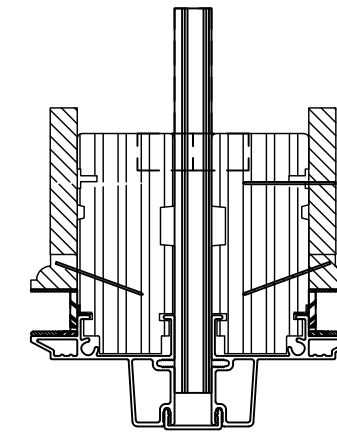
DWG. #: **AWD208**

SHEET:
16

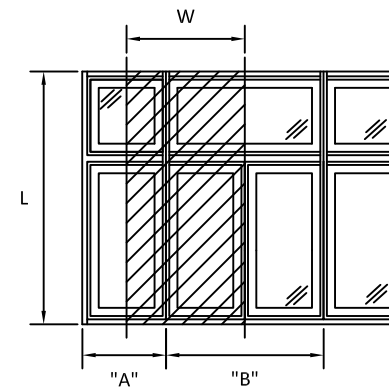
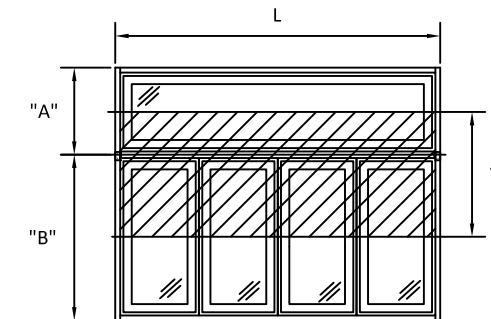
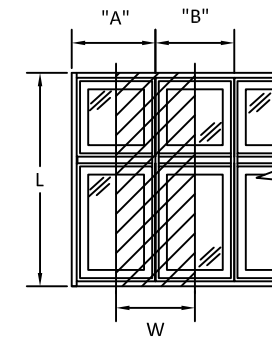
OF 29

MAXIMUM DESIGN PRESSURE CAPACITY CHART (PSF)
1/2" X 5-3/16" STRUCTURAL MULLION (TWO-WAY) CONFIGURATION

L - Mull Length (in)	W - Tributary Width (in)														
	24.0	36.0	48.0	60.0	72.0	84.0	96.0	108.0	120.0	132.0	144.0	156.0	168.0	180.0	192.0
24.0	75.00	75.00	75.00	75.00	75.00	66.86	58.50	52.00	46.80	42.55	39.00	36.00	33.43	31.20	29.25
30.0	75.00	75.00	75.00	74.88	62.40	53.49	46.80	41.60	37.44	34.04	31.20	28.80	26.74	24.96	23.40
36.0	75.00	75.00	75.00	62.40	52.00	44.57	39.00	34.67	31.20	28.36	26.00	24.00	22.29	20.80	19.50
42.0	75.00	75.00	66.86	53.49	44.57	38.20	33.43	29.71	26.74	24.31	22.29	20.57	19.10	17.83	16.71
48.0	75.00	75.00	58.50	46.80	39.00	33.43	29.25	26.00	23.40	21.27	19.50	18.00	16.71	15.60	14.63
54.0	75.00	69.33	52.00	41.60	34.67	29.71	26.00	23.11	20.80	18.91	17.33	16.00	14.86	13.87	13.00
60.0	75.00	62.40	46.80	37.44	31.20	26.74	23.40	20.80	18.72	17.02	15.60	14.40	13.37	12.48	11.70
66.0	75.00	56.73	42.55	34.04	28.36	24.31	21.27	18.91	17.02	15.47	14.18	13.09	12.16	11.35	10.64
72.0	75.00	52.00	39.00	31.20	26.00	22.29	19.50	17.33	15.60	14.18	13.00	12.00	11.14	10.40	9.75
78.0	72.00	48.00	36.00	28.80	24.00	20.57	18.00	16.00	14.40	13.09	12.00	11.08	10.29	9.60	9.00
84.0	66.86	44.57	33.43	26.74	22.29	19.10	16.71	14.86	13.37	12.16	11.14	10.29	9.55	8.91	8.36
90.0	62.40	41.60	31.20	24.96	20.80	17.83	15.60	13.87	12.48	11.35	10.40	9.60	8.91	8.32	7.80
96.0	55.97	37.32	27.99	22.39	18.66	15.99	13.99	12.44	11.19	10.18	9.33	8.61	8.00	7.46	7.00
102.0	46.67	31.11	23.33	18.67	15.56	13.33	11.67	10.37	9.33	8.48	7.78	7.18	6.67	6.22	5.83
108.0	39.31	26.21	19.66	15.72	13.10	11.23	9.83	8.74	7.86	7.15	6.55	6.05	5.62	5.24	4.91
114.0	33.43	22.28	16.71	13.37	11.14	9.55	8.36	7.43	6.69	6.08	5.57	5.14	4.78	4.46	4.18
120.0	28.66	19.11	14.33	11.46	9.55	8.19	7.16	6.37	5.73	5.21	4.78	4.41	4.09	3.82	3.58
126.0	24.76	16.50	12.38	9.90	8.25	7.07	6.19	5.50	4.95	4.50	4.13	3.81	3.54	3.30	3.09
132.0	21.53	14.35	10.77	8.61	7.18	6.15	5.38	4.78	4.31	3.91	3.59	3.31	3.08	2.87	2.69
138.0	18.84	12.56	9.42	7.54	6.28	5.38	4.71	4.19	3.77	3.43	3.14	2.90	2.69	2.51	2.36
144.0	16.58	11.06	8.29	6.63	5.53	4.74	4.15	3.69	3.32	3.02	2.76	2.55	2.37	2.21	2.07
150.0	14.67	9.78	7.34	5.87	4.89	4.19	3.67	3.26	2.93	2.67	2.45	2.26	2.10	1.96	1.83
156.0	13.04	8.70	6.52	5.22	4.35	3.73	3.26	2.90	2.61	2.37	2.17	2.01	1.86	1.74	1.63
162.0	11.65	7.77	5.82	4.66	3.88	3.33	2.91	2.59	2.33	2.12	1.94	1.79	1.66	1.55	1.46
168.0	10.44	6.96	5.22	4.18	3.48	2.98	2.61	2.32	2.09	1.90	1.74	1.61	1.49	1.39	1.31
174.0	9.40	6.27	4.70	3.76	3.13	2.69	2.35	2.09	1.88	1.71	1.57	1.45	1.34	1.25	1.18
180.0	8.49	5.66	4.25	3.40	2.83	2.43	2.12	1.89	1.70	1.54	1.42	1.31	1.21	1.13	1.06
186.0	7.70	5.13	3.85	3.08	2.57	2.20	1.92	1.71	1.54	1.40	1.28	1.18	1.10	1.03	0.96
192.0	7.00	4.66	3.50	2.80	2.33	2.00	1.75	1.55	1.40	1.27	1.17	1.08	1.00	0.93	0.87



1/2" X 5 3/16"
LVL MULL PROFILE



$$\frac{A + B = W}{2}$$

NOTE:

- 1) MULLION CHART APPLIES TO 1/2" X 5 3/16" LVL MULL ASSEMBLIES, WHEN MULLED IN TWO-WAY CONFIGURATIONS.
- 2) DESIGN PRESSURE VALUES ARE POSITIVE AND NEGATIVE IN PSF.
- 3) MAXIMUM DEFLECTION HAS BEEN LIMITED TO L/175.
- 4) DESIGN PRESSURE OF ASSEMBLY IS LIMITED TO THE LESSER DESIGN PRESSURE OF THE MULLION ASSEMBLY OR THE INDIVIDUAL UNIT OF INSTALLATION. ADJACENT E-SERIES WINDOWS OR DOORS SHALL BE UNDER SEPARATE FL APPROVAL.
- 5) MULLION CHART APPLIES TO THE INSTALLATION CONDITIONS LISTED ON SHEET 10
- 6) TRIBUTARY WIDTH = W = (A+B)/2
- 7) WHEN WINDOWS ARE STACKED VERTICALLY, THE MANUFACTURER/INSTALLER SHALL ENSURE THAT THE WEIGHT OF UNITS ABOVE WILL NOT CAUSE DEFLECTIONS OR STRESSES WHICH WILL AFFECT OPERATION OR STRUCTURAL ADEQUACY OF UNITS BELOW.



100 FOURTH AVE NORTH
 BAYPORT, MN 55003-1096
 PH: (651) 264-5150 FX: (651) 264-5485

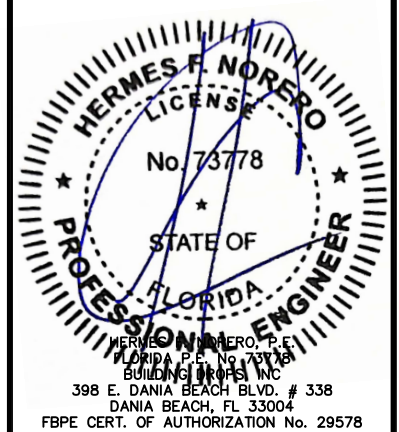
TITLE: E-SERIES SPECIALTY FIXED WINDOW
 (NON-HVHZ) (NON-IMPACT)
 1/2" X 5-3/16" MULLION LOADS TABLE -
 TWO WAY

PREPARED BY:
BUILDING DROPS, INC.
 398 E. DANIA BEACH BLVD., STE. 338
 DANIA BEACH, FL 33004
 PH: (954) 399-8478
 FAX: (954) 744-4738
 WEB: www.buildingdrops.com



REMARKS	BY	DATE
1/2" LVL MULL ADDITION	HR	4.3.19
ADDED MULL & DP CHARTS	LL	7.15.19
7TH FBC CODE CHANGE	NUS	6.28.20
2023 FBC CODE CHANGE	MS	5/31/23

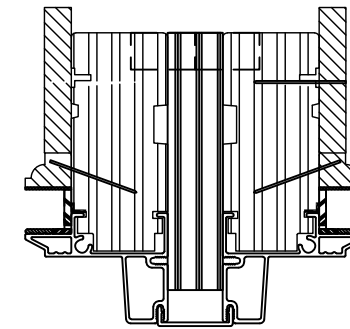
THE INSTALLATION DETAILS DESCRIBED HEREIN ARE GENERIC AND MAY NOT REFLECT ACTUAL CONDITIONS FOR A SPECIFIC SITE. IF SITE CONDITIONS CAUSE INSTALLATION TO DEVIATE FROM THE REQUIREMENTS DETAILED HEREIN, A LICENSED ENGINEER OR ARCHITECT SHALL PREPARE SITE SPECIFIC DOCUMENTS FOR USE WITH THIS DOCUMENT.



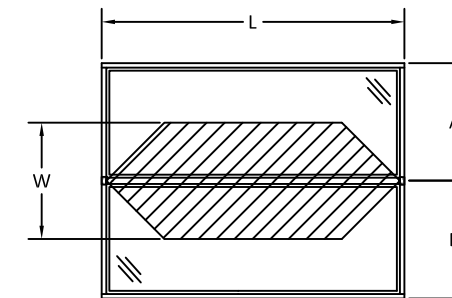
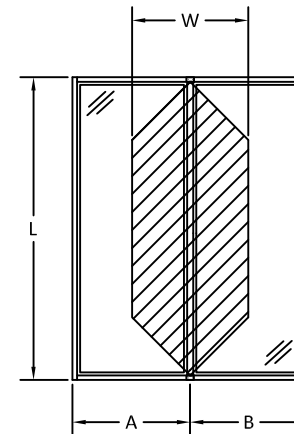
FL #:	FL24230
DATE:	10.12.17
DWG. BY:	AG
CHK. BY:	HFN
SCALE:	NTS
DWG. #:	AWD208
SHEET:	17

**MAXIMUM DESIGN PRESSURE CAPACITY CHART (PSF)
3/4" x 3-1/2" STRUCTURAL MULLION (ONE-WAY) CONFIGURATION**

L - Mull Length (in)	W - Tributary Width (in)														
	24.0	36.0	48.0	60.0	72.0	84.0	96.0	108.0	120.0	132.0	144.0	156.0	168.0	180.0	192.0
24.0	75.00	75.00	75.00	75.00	75.00	75.00	75.00	75.00	75.00	75.00	75.00	75.00	75.00	75.00	75.00
30.0	75.00	75.00	75.00	75.00	75.00	75.00	75.00	75.00	75.00	75.00	75.00	75.00	75.00	75.00	75.00
36.0	75.00	75.00	75.00	75.00	75.00	75.00	75.00	75.00	75.00	75.00	75.00	75.00	75.00	75.00	75.00
42.0	75.00	75.00	75.00	75.00	75.00	75.00	75.00	75.00	75.00	75.00	75.00	75.00	75.00	75.00	75.00
48.0	75.00	75.00	75.00	75.00	75.00	75.00	75.00	75.00	75.00	75.00	75.00	75.00	75.00	75.00	75.00
54.0	75.00	75.00	75.00	75.00	75.00	75.00	75.00	75.00	75.00	75.00	75.00	75.00	75.00	75.00	75.00
60.0	75.00	75.00	75.00	74.88	74.88	74.88	74.88	74.88	74.88	74.88	74.88	74.88	74.88	74.88	74.88
66.0	75.00	75.00	66.86	61.01	60.27	60.27	60.27	60.27	60.27	60.27	60.27	60.27	60.27	60.27	60.27
72.0	75.00	67.50	54.46	48.32	46.42	46.42	46.42	46.42	46.42	46.42	46.42	46.42	46.42	46.42	46.42
78.0	75.00	53.13	42.72	37.57	35.40	35.11	35.11	35.11	35.11	35.11	35.11	35.11	35.11	35.11	35.11
84.0	60.43	42.03	33.45	28.99	26.79	26.10	26.10	26.10	26.10	26.10	26.10	26.10	26.10	26.10	26.10
90.0	48.92	33.84	26.72	22.89	20.84	19.93	19.81	19.81	19.81	19.81	19.81	19.81	19.81	19.81	19.81
96.0	40.16	27.66	21.70	18.43	16.57	15.61	15.30	15.30	15.30	15.30	15.30	15.30	15.30	15.30	15.30
102.0	33.38	22.91	17.88	15.07	13.42	12.49	12.07	12.01	12.01	12.01	12.01	12.01	12.01	12.01	12.01
108.0	28.05	19.19	14.92	12.50	11.04	10.17	9.71	9.55	9.55	9.55	9.55	9.55	9.55	9.55	9.55
114.0	23.80	16.24	12.58	10.49	9.20	8.41	7.94	7.73	7.69	7.69	7.69	7.69	7.69	7.69	7.69
120.0	20.37	13.87	10.71	8.89	7.76	7.04	6.59	6.35	6.27	6.27	6.27	6.27	6.27	6.27	6.27
126.0	17.57	11.94	9.19	7.61	6.61	5.96	5.54	5.29	5.17	5.16	5.16	5.16	5.16	5.16	5.16
132.0	15.26	10.35	7.95	6.56	5.68	5.09	4.71	4.46	4.33	4.28	4.28	4.28	4.28	4.28	4.28
138.0	13.34	9.03	6.93	5.70	4.92	4.39	4.04	3.80	3.66	3.59	3.58	3.58	3.58	3.58	3.58
144.0	11.73	7.93	6.07	4.98	4.29	3.82	3.49	3.27	3.13	3.05	3.02	3.02	3.02	3.02	3.02
150.0	10.36	7.00	5.35	4.39	3.76	3.34	3.04	2.84	2.70	2.62	2.57	2.57	2.57	2.57	2.57
156.0	9.21	6.22	4.74	3.88	3.32	2.94	2.67	2.48	2.35	2.26	2.21	2.19	2.19	2.19	2.19
162.0	8.22	5.54	4.22	3.45	2.95	2.60	2.36	2.18	2.06	1.97	1.92	1.89	1.89	1.89	1.89
168.0	7.36	4.96	3.78	3.08	2.63	2.31	2.09	1.93	1.81	1.73	1.67	1.64	1.63	1.63	1.63
174.0	6.62	4.46	3.39	2.76	2.35	2.07	1.86	1.72	1.61	1.53	1.47	1.44	1.42	1.42	1.42
180.0	5.98	4.02	3.06	2.49	2.11	1.86	1.67	1.53	1.43	1.36	1.30	1.27	1.25	1.24	1.24
186.0	5.42	3.64	2.77	2.25	1.91	1.67	1.50	1.38	1.28	1.21	1.16	1.12	1.10	1.09	1.09
192.0	4.92	3.31	2.51	2.04	1.73	1.51	1.36	1.24	1.15	1.09	1.04	1.00	0.98	0.96	0.96



**3/4" X 3 1/2"
LVL MULL PROFILE**



$$\frac{A + B}{2} = W$$

- NOTE:**
- 1) MULLION CHART APPLIES TO 3/4" X 3 1/2" LVL MULL ASSEMBLIES, WHEN MULLED IN ONE-WAY CONFIGURATIONS.
 - 2) DESIGN PRESSURE VALUES ARE POSITIVE AND NEGATIVE IN PSF.
 - 3) MAXIMUM DEFLECTION HAS BEEN LIMITED TO L/175.
 - 4) DESIGN PRESSURE OF ASSEMBLY IS LIMITED TO THE LESSER DESIGN PRESSURE OF THE MULLION ASSEMBLY OR THE INDIVIDUAL UNIT OF INSTALLATION. ADJACENT E-SERIES WINDOWS OR DOORS SHALL BE UNDER SEPARATE FL APPROVAL.
 - 5) MULLION CHART APPLIES TO THE INSTALLATION CONDITIONS LISTED ON SHEET 10
 - 6) TRIBUTARY WIDTH = $W = (A+B)/2$
 - 7) WHEN WINDOWS ARE STACKED VERTICALLY, THE MANUFACTURER/INSTALLER SHALL ENSURE THAT THE WEIGHT OF UNITS ABOVE WILL NOT CAUSE DEFLECTIONS OR STRESSES WHICH WILL AFFECT OPERATION OR STRUCTURAL ADEQUACY OF UNITS BELOW.



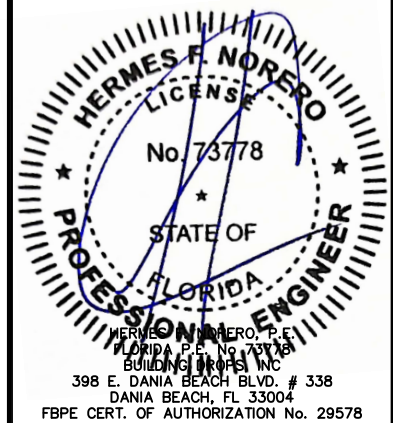
100 FOURTH AVE NORTH
BAYPORT, MN 55003-1096
PH: (651) 264-5150 FX: (651) 264-5485

TITLE: E-SERIES SPECIALTY FIXED WINDOW (NON-HVHZ) (NON-IMPACT)
3/4" X 3 1/2" MULLION LOADS TABLE - ONE WAY

PREPARED BY: BUILDING DROPS, INC.
398 E. DANIA BEACH BLVD., STE. 338
DANIA BEACH, FL 33004
PH: (954) 399-8478
FAX: (954) 744-4738
WEB: www.buildingdrops.com

REMARKS	BY	DATE
1/2" LVL MULL ADDITION	HR	4.3.19
ADDED MULL & DP CHARTS	LL	7.15.19
7TH FBC CODE CHANGE	NUS	6.28.20
2023 FBC CODE CHANGE	MS	5/31/23

THE INSTALLATION DETAILS DESCRIBED HEREIN ARE GENERIC AND MAY NOT REFLECT ACTUAL CONDITIONS FOR A SPECIFIC SITE. IF SITE CONDITIONS CAUSE INSTALLATION TO DEVIATE FROM THE REQUIREMENTS DETAILED HEREIN, A LICENSED ENGINEER OR ARCHITECT SHALL PREPARE SITE SPECIFIC DOCUMENTS FOR USE WITH THIS DOCUMENT.



FL #:
FL24230

DATE: **10.12.17**

DWG. BY: **AG** CHK. BY: **HFN**

SCALE: **NTS**

DWG. #: **AWD208**

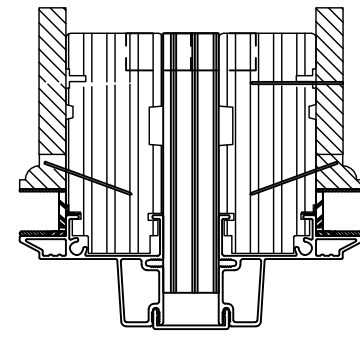
SHEET:
18

OF 29

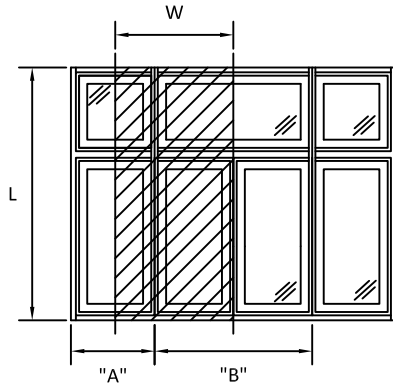
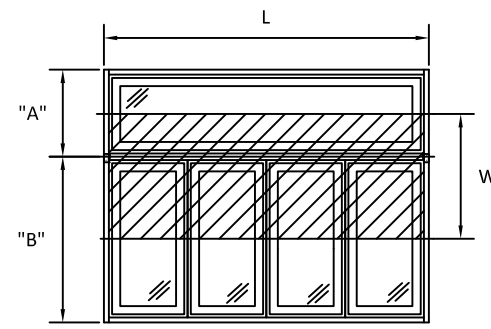
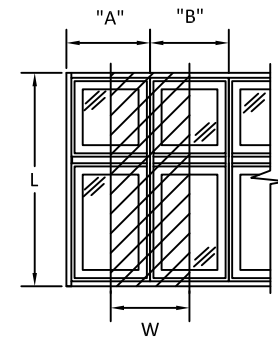
6/8/2023 5:58 PM
s:\projects\andersen windows\cc-23-0406 - fbc 2023 code change (8th edition)\124230\dwgs\awd208 - e-series specialty fixed window (non-hvhlz)\non-impact.dwg

MAXIMUM DESIGN PRESSURE CAPACITY CHART (PSF)
3/4" X 3-1/2" STRUCTURAL MULLION (TWO-WAY) CONFIGURATION

L - Mull Length (in)	W - Tributary Width (in)														
	24.0	36.0	48.0	60.0	72.0	84.0	96.0	108.0	120.0	132.0	144.0	156.0	168.0	180.0	192.0
24.0	75.00	75.00	75.00	75.00	75.00	66.86	58.50	52.00	46.80	42.55	39.00	36.00	33.43	31.20	29.25
30.0	75.00	75.00	75.00	74.88	62.40	53.49	46.80	41.60	37.44	34.04	31.20	28.80	26.74	24.96	23.40
36.0	75.00	75.00	75.00	62.40	52.00	44.57	39.00	34.67	31.20	28.36	26.00	24.00	22.29	20.80	19.50
42.0	75.00	75.00	66.86	53.49	44.57	38.20	33.43	29.71	26.74	24.31	22.29	20.57	19.10	17.83	16.71
48.0	75.00	75.00	58.50	46.80	39.00	33.43	29.25	26.00	23.40	21.27	19.50	18.00	16.71	15.60	14.63
54.0	75.00	69.33	52.00	41.60	34.67	29.71	26.00	23.11	20.80	18.91	17.33	16.00	14.86	13.87	13.00
60.0	75.00	62.40	46.80	37.44	31.20	26.74	23.40	20.80	18.72	17.02	15.60	14.40	13.37	12.48	11.70
66.0	75.00	56.73	42.55	34.04	28.36	24.31	21.27	18.91	17.02	15.47	14.18	13.09	12.16	11.35	10.64
72.0	75.00	52.00	39.00	31.20	26.00	22.29	19.50	17.33	15.60	14.18	13.00	12.00	11.14	10.40	9.75
78.0	72.00	48.00	36.00	28.80	24.00	20.57	18.00	16.00	14.40	13.09	12.00	11.08	10.29	9.60	9.00
84.0	58.47	38.98	29.23	23.39	19.49	16.71	14.62	12.99	11.69	10.63	9.74	9.00	8.35	7.80	7.31
90.0	47.54	31.69	23.77	19.01	15.85	13.58	11.88	10.56	9.51	8.64	7.92	7.31	6.79	6.34	5.94
96.0	39.17	26.11	19.58	15.67	13.06	11.19	9.79	8.70	7.83	7.12	6.53	6.03	5.60	5.22	4.90
102.0	32.66	21.77	16.33	13.06	10.89	9.33	8.16	7.26	6.53	5.94	5.44	5.02	4.67	4.35	4.08
108.0	27.51	18.34	13.76	11.00	9.17	7.86	6.88	6.11	5.50	5.00	4.59	4.23	3.93	3.67	3.44
114.0	23.39	15.59	11.70	9.36	7.80	6.68	5.85	5.20	4.68	4.25	3.90	3.60	3.34	3.12	2.92
120.0	20.05	13.37	10.03	8.02	6.68	5.73	5.01	4.46	4.01	3.65	3.34	3.09	2.86	2.67	2.51
126.0	17.32	11.55	8.66	6.93	5.77	4.95	4.33	3.85	3.46	3.15	2.89	2.67	2.47	2.31	2.17
132.0	15.07	10.04	7.53	6.03	5.02	4.30	3.77	3.35	3.01	2.74	2.51	2.32	2.15	2.01	1.88
138.0	13.19	8.79	6.59	5.27	4.40	3.77	3.30	2.93	2.64	2.40	2.20	2.03	1.88	1.76	1.65
144.0	11.61	7.74	5.80	4.64	3.87	3.32	2.90	2.58	2.32	2.11	1.93	1.79	1.66	1.55	1.45
150.0	10.27	6.85	5.13	4.11	3.42	2.93	2.57	2.28	2.05	1.87	1.71	1.58	1.47	1.37	1.28
156.0	9.13	6.09	4.56	3.65	3.04	2.61	2.28	2.03	1.83	1.66	1.52	1.40	1.30	1.22	1.14
162.0	8.15	5.43	4.08	3.26	2.72	2.33	2.04	1.81	1.63	1.48	1.36	1.25	1.16	1.09	1.02
168.0	7.31	4.87	3.65	2.92	2.44	2.09	1.83	1.62	1.46	1.33	1.22	1.12	1.04	0.97	0.91
174.0	6.58	4.39	3.29	2.63	2.19	1.88	1.64	1.46	1.32	1.20	1.10	1.01	0.94	0.88	0.82
180.0	5.94	3.96	2.97	2.38	1.98	1.70	1.49	1.32	1.19	1.08	0.99	0.91	0.85	0.79	0.74
186.0	5.39	3.59	2.69	2.15	1.80	1.54	1.35	1.20	1.08	0.98	0.90	0.83	0.77	0.72	0.67
192.0	4.90	3.26	2.45	1.96	1.63	1.40	1.22	1.09	0.98	0.89	0.82	0.75	0.70	0.65	0.61



3/4" X 3 1/2"
LVL MULL PROFILE



$$\frac{A + B}{2} = W$$

- NOTE:**
- MULLION CHART APPLIES TO 3/4" X 3 1/2" LVL MULL ASSEMBLIES, WHEN MULLED IN TWO-WAY CONFIGURATIONS.
 - DESIGN PRESSURE VALUES ARE POSITIVE AND NEGATIVE IN PSF.
 - MAXIMUM DEFLECTION HAS BEEN LIMITED TO L/175.
 - DESIGN PRESSURE OF ASSEMBLY IS LIMITED TO THE LESSER DESIGN PRESSURE OF THE MULLION ASSEMBLY OR THE INDIVIDUAL UNIT OF INSTALLATION. ADJACENT E-SERIES WINDOWS OR DOORS SHALL BE UNDER SEPARATE FL APPROVAL.
 - MULLION CHART APPLIES TO THE INSTALLATION CONDITIONS LISTED ON SHEET 10
 - TRIBUTARY WIDTH = $W = (A+B)/2$
 - WHEN WINDOWS ARE STACKED VERTICALLY, THE MANUFACTURER/INSTALLER SHALL ENSURE THAT THE WEIGHT OF UNITS ABOVE WILL NOT CAUSE DEFLECTIONS OR STRESSES WHICH WILL AFFECT OPERATION OR STRUCTURAL ADEQUACY OF UNITS BELOW.



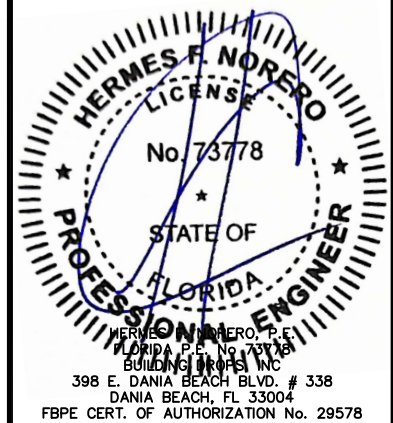
100 FOURTH AVE NORTH
BAYPORT, MN 55003-1096
PH: (651) 264-5150 FX: (651) 264-5485

TITLE: E-SERIES SPECIALTY FIXED WINDOW (NON-HVHZ) (NON-IMPACT)
3/4" X 3-1/2" MULLION LOADS TABLE - TWO WAY

PREPARED BY: **BUILDING DROPS, INC.**
398 E. DANIA BEACH BLVD., STE. 338
DANIA BEACH, FL 33004
PH: (954) 399-8478
FAX: (954) 744-4738
WEB: www.buildingdrops.com

REMARKS	BY	DATE
1/2" LVL MULL ADDITION	HR	4.3.19
ADDED MULL & DP CHARTS	LL	7.15.19
7TH FBC CODE CHANGE	NUS	6.28.20
2023 FBC CODE CHANGE	MS	5/31/23

THE INSTALLATION DETAILS DESCRIBED HEREIN ARE GENERIC AND MAY NOT REFLECT ACTUAL CONDITIONS FOR A SPECIFIC SITE. IF SITE CONDITIONS CAUSE INSTALLATION TO DEVIATE FROM THE REQUIREMENTS DETAILED HEREIN, A LICENSED ENGINEER OR ARCHITECT SHALL PREPARE SITE SPECIFIC DOCUMENTS FOR USE WITH THIS DOCUMENT.



FL #:
FL24230

DATE: **10.12.17**

DWG. BY: **AG** CHK. BY: **HFN**

SCALE: **NTS**

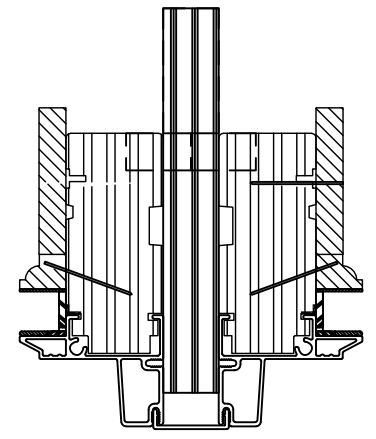
DWG. #: **AWD208**

SHEET:
19

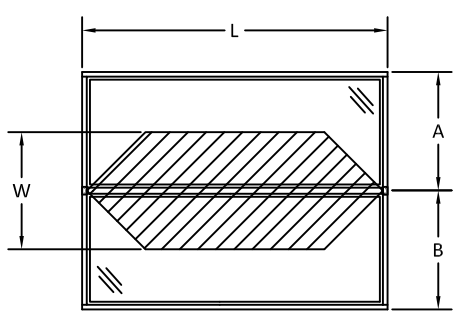
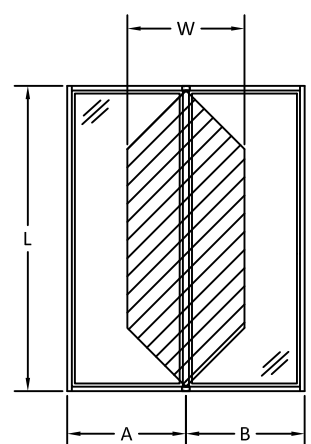
OF 29

6/8/2023 5:58 PM s:\projects\andersen\windows\cc-23-0406-fbc 2023 code change (8th edition)\124230\dwgs\awd208-e-series specialty fixed window (non-hvhl)(non-impact).dwg

MAXIMUM DESIGN PRESSURE CAPACITY CHART (PSF)															
3/4" X 5-3/16" STRUCTURAL MULLION (ONE-WAY) CONFIGURATION															
L - Mull Length (in)	W - Tributary Width (in)														
	24.0	36.0	48.0	60.0	72.0	84.0	96.0	108.0	120.0	132.0	144.0	156.0	168.0	180.0	192.0
24.0	75.00	75.00	75.00	75.00	75.00	75.00	75.00	75.00	75.00	75.00	75.00	75.00	75.00	75.00	75.00
30.0	75.00	75.00	75.00	75.00	75.00	75.00	75.00	75.00	75.00	75.00	75.00	75.00	75.00	75.00	75.00
36.0	75.00	75.00	75.00	75.00	75.00	75.00	75.00	75.00	75.00	75.00	75.00	75.00	75.00	75.00	75.00
42.0	75.00	75.00	75.00	75.00	75.00	75.00	75.00	75.00	75.00	75.00	75.00	75.00	75.00	75.00	75.00
48.0	75.00	75.00	75.00	75.00	75.00	75.00	75.00	75.00	75.00	75.00	75.00	75.00	75.00	75.00	75.00
54.0	75.00	75.00	75.00	75.00	75.00	75.00	75.00	75.00	75.00	75.00	75.00	75.00	75.00	75.00	75.00
60.0	75.00	75.00	75.00	74.88	74.88	74.88	74.88	74.88	74.88	74.88	74.88	74.88	74.88	74.88	74.88
66.0	75.00	75.00	66.86	62.40	61.88	61.88	61.88	61.88	61.88	61.88	61.88	61.88	61.88	61.88	61.88
72.0	75.00	69.33	58.50	53.49	52.00	52.00	52.00	52.00	52.00	52.00	52.00	52.00	52.00	52.00	52.00
78.0	75.00	62.40	52.00	46.80	44.57	44.31	44.31	44.31	44.31	44.31	44.31	44.31	44.31	44.31	44.31
84.0	75.00	56.73	46.80	41.60	39.00	38.20	38.20	38.20	38.20	38.20	38.20	38.20	38.20	38.20	38.20
90.0	72.00	52.00	42.55	37.44	34.67	33.43	33.28	33.28	33.28	33.28	33.28	33.28	33.28	33.28	33.28
96.0	66.86	48.00	39.00	33.66	30.27	28.52	27.95	27.95	27.95	27.95	27.95	27.95	27.95	27.95	27.95
102.0	60.98	41.85	32.66	27.53	24.52	22.82	22.04	21.93	21.93	21.93	21.93	21.93	21.93	21.93	21.93
108.0	51.24	35.06	27.25	22.83	20.17	18.58	17.73	17.45	17.45	17.45	17.45	17.45	17.45	17.45	17.45
114.0	43.48	29.67	22.97	19.15	16.81	15.36	14.51	14.11	14.06	14.06	14.06	14.06	14.06	14.06	14.06
120.0	37.21	25.33	19.56	16.24	14.17	12.86	12.04	11.60	11.45	11.45	11.45	11.45	11.45	11.45	11.45
126.0	32.09	21.81	16.79	13.89	12.07	10.89	10.12	9.67	9.45	9.42	9.42	9.42	9.42	9.42	9.42
132.0	27.87	18.91	14.53	11.98	10.37	9.31	8.60	8.15	7.91	7.82	7.82	7.82	7.82	7.82	7.82
138.0	24.36	16.50	12.65	10.41	8.98	8.02	7.38	6.95	6.69	6.57	6.55	6.55	6.55	6.55	6.55
144.0	21.42	14.49	11.09	9.11	7.83	6.97	6.38	5.98	5.72	5.57	5.52	5.52	5.52	5.52	5.52
150.0	18.93	12.80	9.78	8.01	6.87	6.10	5.56	5.19	4.93	4.78	4.70	4.69	4.69	4.69	4.69
156.0	16.82	11.35	8.66	7.09	6.07	5.37	4.88	4.53	4.29	4.13	4.04	4.01	4.01	4.01	4.01
162.0	15.01	10.12	7.72	6.30	5.38	4.75	4.30	3.98	3.76	3.60	3.50	3.45	3.45	3.45	3.45
168.0	13.45	9.06	6.90	5.63	4.80	4.23	3.82	3.52	3.31	3.16	3.06	3.00	2.98	2.98	2.98
174.0	12.10	8.15	6.20	5.05	4.30	3.78	3.41	3.13	2.93	2.79	2.69	2.63	2.60	2.59	2.59
180.0	10.92	7.35	5.59	4.54	3.86	3.39	3.05	2.80	2.61	2.48	2.38	2.31	2.28	2.26	2.26
186.0	9.89	6.65	5.05	4.11	3.49	3.06	2.74	2.51	2.34	2.21	2.12	2.05	2.01	1.99	1.98
192.0	8.99	6.04	4.59	3.72	3.16	2.76	2.48	2.26	2.10	1.98	1.89	1.83	1.78	1.76	1.75



**3/4" X 5 3/16"
LVL MULL PROFILE**



$$\frac{A + B}{2} = W$$

- NOTE:**
- 1) MULLION CHART APPLIES TO 3/4" X 5 3/16" LVL MULL ASSEMBLIES, WHEN MULLED IN ONE-WAY CONFIGURATIONS.
 - 2) DESIGN PRESSURE VALUES ARE POSITIVE AND NEGATIVE IN PSF.
 - 3) MAXIMUM DEFLECTION HAS BEEN LIMITED TO L/175.
 - 4) DESIGN PRESSURE OF ASSEMBLY IS LIMITED TO THE LESSER DESIGN PRESSURE OF THE MULLION ASSEMBLY OR THE INDIVIDUAL UNIT OF INSTALLATION. ADJACENT E-SERIES WINDOWS OR DOORS SHALL BE UNDER SEPARATE FL APPROVAL.
 - 5) MULLION CHART APPLIES TO THE INSTALLATION CONDITIONS LISTED ON SHEET 10
 - 6) TRIBUTARY WIDTH = $W = (A+B)/2$
 - 7) WHEN WINDOWS ARE STACKED VERTICALLY, THE MANUFACTURER/INSTALLER SHALL ENSURE THAT THE WEIGHT OF UNITS ABOVE WILL NOT CAUSE DEFLECTIONS OR STRESSES WHICH WILL AFFECT OPERATION OR STRUCTURAL ADEQUACY OF UNITS BELOW.



100 FOURTH AVE NORTH
BAYPORT, MN 55003-1096
PH: (651) 264-5150 FX: (651) 264-5485

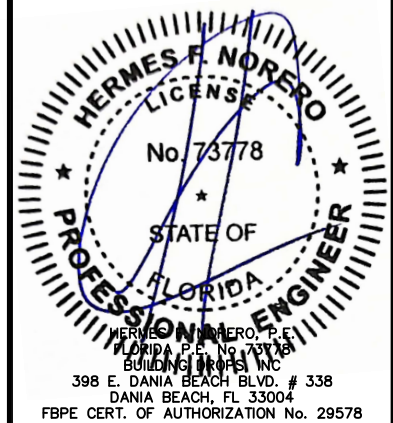
TITLE: E-SERIES SPECIALTY FIXED WINDOW (NON-HVHZ) (NON-IMPACT)
3/4" X 5-3/16" MULLION LOADS TABLE - ONE WAY

PREPARED BY:
BUILDING DROPS, INC.
398 E. DANIA BEACH BLVD., STE. 338
DANIA BEACH, FL 33004
PH: (954) 399-8478
FAX: (954) 744-4738
WEB: www.buildingdrops.com



REMARKS	BY	DATE
1/2" LVL MULL ADDITION	HR	4.3.19
ADDED MULL & DP CHARTS	LL	7.15.19
7TH FBC CODE CHANGE	NUS	6.28.20
2023 FBC CODE CHANGE	MS	5/31/23

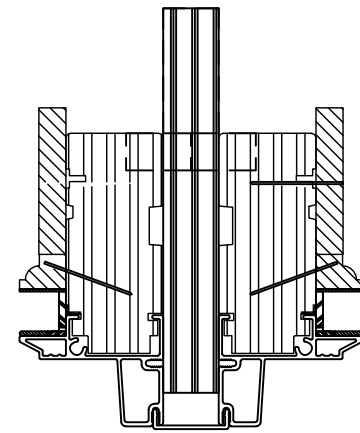
THE INSTALLATION DETAILS DESCRIBED HEREIN ARE GENERIC AND MAY NOT REFLECT ACTUAL CONDITIONS FOR A SPECIFIC SITE. IF SITE CONDITIONS CAUSE INSTALLATION TO DEVIATE FROM THE REQUIREMENTS DETAILED HEREIN, A LICENSED ENGINEER OR ARCHITECT SHALL PREPARE SITE SPECIFIC DOCUMENTS FOR USE WITH THIS DOCUMENT.



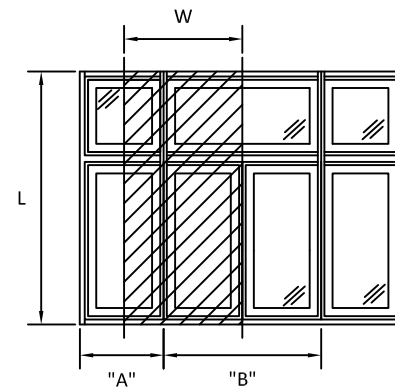
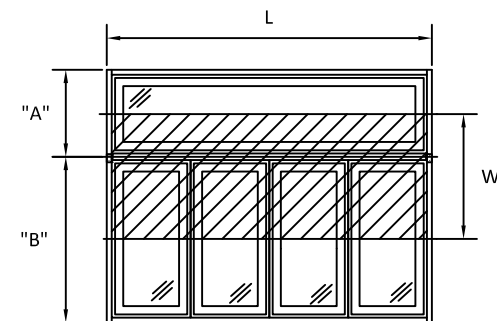
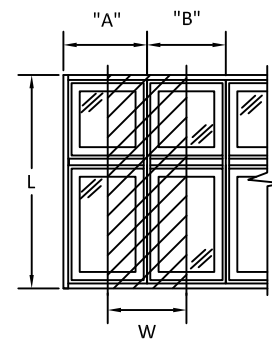
FL #:	FL24230
DATE:	10.12.17
DWG. BY:	AG
CHK. BY:	HFN
SCALE:	NTS
DWG. #:	AWD208
SHEET:	20

MAXIMUM DESIGN PRESSURE CAPACITY CHART (PSF)
3/4" X 5-3/16" STRUCTURAL MULLION (TWO-WAY) CONFIGURATION

L - Mull Length (in)	W - Tributary Width (in)														
	24.0	36.0	48.0	60.0	72.0	84.0	96.0	108.0	120.0	132.0	144.0	156.0	168.0	180.0	192.0
24.0	75.00	75.00	75.00	75.00	75.00	66.86	58.50	52.00	46.80	42.55	39.00	36.00	33.43	31.20	29.25
30.0	75.00	75.00	75.00	74.88	62.40	53.49	46.80	41.60	37.44	34.04	31.20	28.80	26.74	24.96	23.40
36.0	75.00	75.00	75.00	62.40	52.00	44.57	39.00	34.67	31.20	28.36	26.00	24.00	22.29	20.80	19.50
42.0	75.00	75.00	66.86	53.49	44.57	38.20	33.43	29.71	26.74	24.31	22.29	20.57	19.10	17.83	16.71
48.0	75.00	75.00	58.50	46.80	39.00	33.43	29.25	26.00	23.40	21.27	19.50	18.00	16.71	15.60	14.63
54.0	75.00	69.33	52.00	41.60	34.67	29.71	26.00	23.11	20.80	18.91	17.33	16.00	14.86	13.87	13.00
60.0	75.00	62.40	46.80	37.44	31.20	26.74	23.40	20.80	18.72	17.02	15.60	14.40	13.37	12.48	11.70
66.0	75.00	56.73	42.55	34.04	28.36	24.31	21.27	18.91	17.02	15.47	14.18	13.09	12.16	11.35	10.64
72.0	75.00	52.00	39.00	31.20	26.00	22.29	19.50	17.33	15.60	14.18	13.00	12.00	11.14	10.40	9.75
78.0	72.00	48.00	36.00	28.80	24.00	20.57	18.00	16.00	14.40	13.09	12.00	11.08	10.29	9.60	9.00
84.0	66.86	44.57	33.43	26.74	22.29	19.10	16.71	14.86	13.37	12.16	11.14	10.29	9.55	8.91	8.36
90.0	62.40	41.60	31.20	24.96	20.80	17.83	15.60	13.87	12.48	11.35	10.40	9.60	8.91	8.32	7.80
96.0	58.50	39.00	29.25	23.40	19.50	16.71	14.63	13.00	11.70	10.64	9.75	9.00	8.36	7.80	7.31
102.0	55.06	36.71	27.53	22.02	18.35	15.73	13.76	12.24	11.01	10.01	9.18	8.47	7.87	7.34	6.88
108.0	50.25	33.50	25.13	20.10	16.75	14.36	12.56	11.17	10.05	9.14	8.38	7.73	7.18	6.70	6.28
114.0	42.73	28.49	21.36	17.09	14.24	12.21	10.68	9.50	8.55	7.77	7.12	6.57	6.10	5.70	5.34
120.0	36.64	24.42	18.32	14.65	12.21	10.47	9.16	8.14	7.33	6.66	6.11	5.64	5.23	4.88	4.58
126.0	31.65	21.10	15.82	12.66	10.55	9.04	7.91	7.03	6.33	5.75	5.27	4.87	4.52	4.22	3.96
132.0	27.52	18.35	13.76	11.01	9.17	7.86	6.88	6.12	5.50	5.00	4.59	4.23	3.93	3.67	3.44
138.0	24.09	16.06	12.04	9.64	8.03	6.88	6.02	5.35	4.82	4.38	4.01	3.71	3.44	3.21	3.01
144.0	21.20	14.13	10.60	8.48	7.07	6.06	5.30	4.71	4.24	3.85	3.53	3.26	3.03	2.83	2.65
150.0	18.76	12.50	9.38	7.50	6.25	5.36	4.69	4.17	3.75	3.41	3.13	2.89	2.68	2.50	2.34
156.0	16.68	11.12	8.34	6.67	5.56	4.76	4.17	3.71	3.34	3.03	2.78	2.57	2.38	2.22	2.08
162.0	14.89	9.93	7.45	5.96	4.96	4.25	3.72	3.31	2.98	2.71	2.48	2.29	2.13	1.99	1.86
168.0	13.35	8.90	6.68	5.34	4.45	3.81	3.34	2.97	2.67	2.43	2.23	2.05	1.91	1.78	1.67
174.0	12.02	8.01	6.01	4.81	4.01	3.43	3.00	2.67	2.40	2.18	2.00	1.85	1.72	1.60	1.50
180.0	10.86	7.24	5.43	4.34	3.62	3.10	2.71	2.41	2.17	1.97	1.81	1.67	1.55	1.45	1.36
186.0	9.84	6.56	4.92	3.94	3.28	2.81	2.46	2.19	1.97	1.79	1.64	1.51	1.41	1.31	1.23
192.0	8.94	5.96	4.47	3.58	2.98	2.56	2.24	1.99	1.79	1.63	1.49	1.38	1.28	1.19	1.12



3/4" X 5 3/16"
LVL MULL PROFILE



$$\frac{A + B = W}{2}$$

- NOTE:**
- MULLION CHART APPLIES TO 3/4" X 5 3/16" LVL MULL ASSEMBLIES, WHEN MULLED IN TWO-WAY CONFIGURATIONS.
 - DESIGN PRESSURE VALUES ARE POSITIVE AND NEGATIVE IN PSF.
 - MAXIMUM DEFLECTION HAS BEEN LIMITED TO L/175.
 - DESIGN PRESSURE OF ASSEMBLY IS LIMITED TO THE LESSER DESIGN PRESSURE OF THE MULLION ASSEMBLY OR THE INDIVIDUAL UNIT OF INSTALLATION. ADJACENT E-SERIES WINDOWS OR DOORS SHALL BE UNDER SEPARATE FL APPROVAL.
 - MULLION CHART APPLIES TO THE INSTALLATION CONDITIONS LISTED ON SHEET 10
 - TRIBUTARY WIDTH = $W = (A+B)/2$
 - WHEN WINDOWS ARE STACKED VERTICALLY, THE MANUFACTURER/INSTALLER SHALL ENSURE THAT THE WEIGHT OF UNITS ABOVE WILL NOT CAUSE DEFLECTIONS OR STRESSES WHICH WILL AFFECT OPERATION OR STRUCTURAL ADEQUACY OF UNITS BELOW.



100 FOURTH AVE NORTH
 BAYPORT, MN 55003-1096
 PH: (651) 264-5150 FX: (651) 264-5485

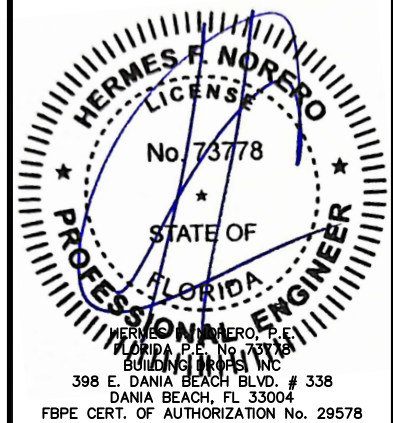
TITLE: E-SERIES SPECIALTY FIXED WINDOW
 (NON-HVHZ) (NON-IMPACT)
 3/4" X 5 3/16" MULLION LOADS TABLE -
 TWO WAY

PREPARED BY:
BUILDING DROPS, INC.
 398 E. DANIA BEACH BLVD., STE. 338
 DANIA BEACH, FL 33004
 PH: (954) 399-8478
 FAX: (954) 744-4738
 WEB: www.buildingdrops.com



REMARKS	BY	DATE
1/2" LVL MULL ADDITION	HR	4.3.19
ADDED MULL & DP CHARTS	LL	7.15.19
7TH FBC CODE CHANGE	NUS	6.28.20
2023 FBC CODE CHANGE	MS	5/31/23

THE INSTALLATION DETAILS DESCRIBED HEREIN ARE GENERIC AND MAY NOT REFLECT ACTUAL CONDITIONS FOR A SPECIFIC SITE. IF SITE CONDITIONS CAUSE INSTALLATION TO DEVIATE FROM THE REQUIREMENTS DETAILED HEREIN, A LICENSED ENGINEER OR ARCHITECT SHALL PREPARE SITE SPECIFIC DOCUMENTS FOR USE WITH THIS DOCUMENT.



FL #:	FL24230
DATE:	10.12.17
DWG. BY:	AG
CHK. BY:	HFN
SCALE:	NTS
DWG. #:	AWD208
SHEET:	



100 FOURTH AVE NORTH
BAYPORT, MN 55003-1096
PH: (651) 264-5150 FX: (651) 264-5485

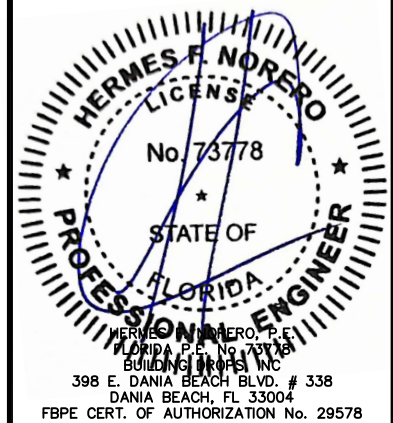
TITLE: E-SERIES SPECIALTY FIXED WINDOW
(NON-HVHZ) (NON-IMPACT)
1" X 3-1/2" MULLION LOADS TABLE -
ONE WAY

PREPARED BY:
BUILDING DROPS, INC.
398 E. DANIA BEACH BLVD., STE. 338
DANIA BEACH, FL 33004
PH: (954) 399-8478
FAX: (954) 744-4738
WEB: www.buildingdrops.com



REMARKS	BY	DATE
1/2" LVL MULL ADDITION	HR	4.3.19
ADDED MULL & DP CHARTS	LL	7.15.19
7TH FBC CODE CHANGE	NUS	6.28.20
2023 FBC CODE CHANGE	MS	5/31/23

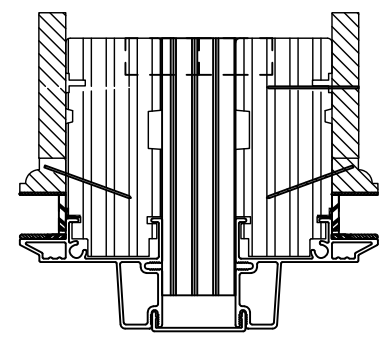
THE INSTALLATION DETAILS DESCRIBED HEREIN ARE GENERIC AND MAY NOT REFLECT ACTUAL CONDITIONS FOR A SPECIFIC SITE. IF SITE CONDITIONS CAUSE INSTALLATION TO DEVIATE FROM THE REQUIREMENTS DETAILED HEREIN, A LICENSED ENGINEER OR ARCHITECT SHALL PREPARE SITE SPECIFIC DOCUMENTS FOR USE WITH THIS DOCUMENT.



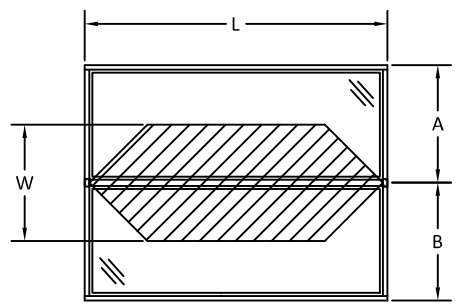
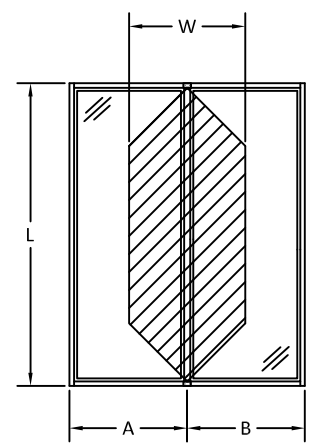
FL #:	FL24230
DATE:	10.12.17
DWG. BY:	AG
CHK. BY:	HFN
SCALE:	NTS
DWG. #:	AWD208
SHEET:	22

MAXIMUM DESIGN PRESSURE CAPACITY CHART (PSF)
1" X 3-1/2" STRUCTURAL MULLION (ONE-WAY) CONFIGURATION

L - Mull Length (in)	W - Tributary Width (in)														
	24.0	36.0	48.0	60.0	72.0	84.0	96.0	108.0	120.0	132.0	144.0	156.0	168.0	180.0	192.0
24.0	75.00	75.00	75.00	75.00	75.00	75.00	75.00	75.00	75.00	75.00	75.00	75.00	75.00	75.00	75.00
30.0	75.00	75.00	75.00	75.00	75.00	75.00	75.00	75.00	75.00	75.00	75.00	75.00	75.00	75.00	75.00
36.0	75.00	75.00	75.00	75.00	75.00	75.00	75.00	75.00	75.00	75.00	75.00	75.00	75.00	75.00	75.00
42.0	75.00	75.00	75.00	75.00	75.00	75.00	75.00	75.00	75.00	75.00	75.00	75.00	75.00	75.00	75.00
48.0	75.00	75.00	75.00	75.00	75.00	75.00	75.00	75.00	75.00	75.00	75.00	75.00	75.00	75.00	75.00
54.0	75.00	75.00	75.00	75.00	75.00	75.00	75.00	75.00	75.00	75.00	75.00	75.00	75.00	75.00	75.00
60.0	75.00	75.00	75.00	74.88	74.88	74.88	74.88	74.88	74.88	74.88	74.88	74.88	74.88	74.88	74.88
66.0	75.00	75.00	66.86	62.40	61.88	61.88	61.88	61.88	61.88	61.88	61.88	61.88	61.88	61.88	61.88
72.0	75.00	69.33	58.50	53.49	52.00	52.00	52.00	52.00	52.00	52.00	52.00	52.00	52.00	52.00	52.00
78.0	75.00	59.62	47.94	42.16	39.72	39.40	39.40	39.40	39.40	39.40	39.40	39.40	39.40	39.40	39.40
84.0	67.82	47.16	37.54	32.53	30.07	29.29	29.29	29.29	29.29	29.29	29.29	29.29	29.29	29.29	29.29
90.0	54.90	37.97	29.98	25.69	23.38	22.37	22.23	22.23	22.23	22.23	22.23	22.23	22.23	22.23	22.23
96.0	45.07	31.04	24.35	20.68	18.59	17.52	17.17	17.17	17.17	17.17	17.17	17.17	17.17	17.17	17.17
102.0	37.46	25.71	20.07	16.91	15.06	14.02	13.54	13.47	13.47	13.47	13.47	13.47	13.47	13.47	13.47
108.0	31.48	21.53	16.74	14.02	12.39	11.41	10.89	10.72	10.72	10.72	10.72	10.72	10.72	10.72	10.72
114.0	26.71	18.22	14.11	11.77	10.33	9.43	8.91	8.67	8.63	8.63	8.63	8.63	8.63	8.63	8.63
120.0	22.86	15.56	12.01	9.98	8.71	7.90	7.40	7.13	7.03	7.03	7.03	7.03	7.03	7.03	7.03
126.0	19.71	13.40	10.31	8.53	7.42	6.69	6.22	5.94	5.81	5.79	5.79	5.79	5.79	5.79	5.79
132.0	17.12	11.62	8.92	7.36	6.37	5.72	5.28	5.01	4.86	4.80	4.80	4.80	4.80	4.80	4.80
138.0	14.97	10.14	7.77	6.40	5.52	4.93	4.53	4.27	4.11	4.03	4.02	4.02	4.02	4.02	4.02
144.0	13.16	8.90	6.81	5.59	4.81	4.28	3.92	3.67	3.51	3.42	3.39	3.39	3.39	3.39	3.39
150.0	11.63	7.86	6.01	4.92	4.22	3.75	3.42	3.19	3.03	2.93	2.89	2.88	2.88	2.88	2.88
156.0	10.33	6.97	5.32	4.35	3.73	3.30	3.00	2.78	2.63	2.54	2.48	2.46	2.46	2.46	2.46
162.0	9.22	6.22	4.74	3.87	3.31	2.92	2.64	2.45	2.31	2.21	2.15	2.12	2.12	2.12	2.12
168.0	8.26	5.57	4.24	3.46	2.95	2.60	2.35	2.16	2.03	1.94	1.88	1.84	1.83	1.83	1.83
174.0	7.43	5.00	3.81	3.10	2.64	2.32	2.09	1.92	1.80	1.71	1.65	1.61	1.59	1.59	1.59
180.0	6.71	4.51	3.43	2.79	2.37	2.08	1.87	1.72	1.61	1.52	1.46	1.42	1.40	1.39	1.39
186.0	6.08	4.09	3.10	2.52	2.14	1.88	1.69	1.54	1.44	1.36	1.30	1.26	1.23	1.22	1.22
192.0	5.52	3.71	2.82	2.29	1.94	1.70	1.52	1.39	1.29	1.22	1.16	1.12	1.10	1.08	1.07



1" X 3 1/2"
LVL MULL PROFILE



$$\frac{A + B}{2} = W$$

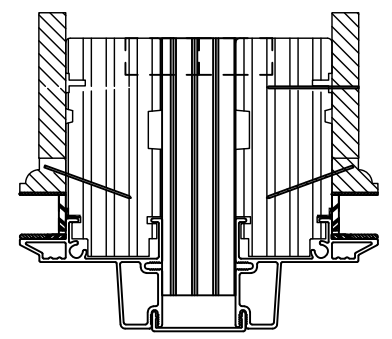
- NOTE:**
- 1) MULLION CHART APPLIES TO 1" X 3 1/2" LVL MULL ASSEMBLIES, WHEN MULLED IN ONE-WAY CONFIGURATIONS.
 - 2) DESIGN PRESSURE VALUES ARE POSITIVE AND NEGATIVE IN PSF.
 - 3) MAXIMUM DEFLECTION HAS BEEN LIMITED TO L/175.
 - 4) DESIGN PRESSURE OF ASSEMBLY IS LIMITED TO THE LESSER DESIGN PRESSURE OF THE MULLION ASSEMBLY OR THE INDIVIDUAL UNIT OF INSTALLATION. ADJACENT E-SERIES WINDOWS OR DOORS SHALL BE UNDER SEPARATE FL APPROVAL.
 - 5) MULLION CHART APPLIES TO THE INSTALLATION CONDITIONS LISTED ON SHEET 10
 - 6) TRIBUTARY WIDTH = W = (A+B)/2
 - 7) WHEN WINDOWS ARE STACKED VERTICALLY, THE MANUFACTURER/INSTALLER SHALL ENSURE THAT THE WEIGHT OF UNITS ABOVE WILL NOT CAUSE DEFLECTIONS OR STRESSES WHICH WILL AFFECT OPERATION OR STRUCTURAL ADEQUACY OF UNITS BELOW.



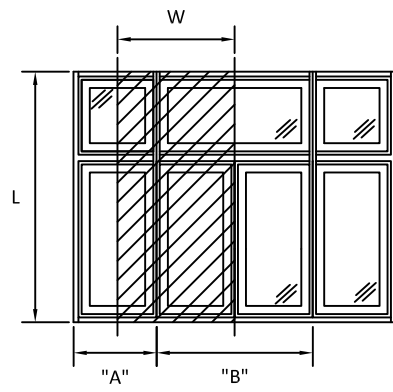
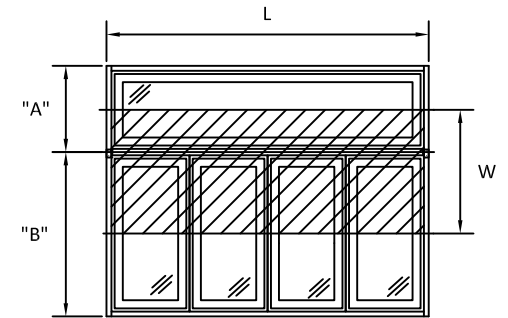
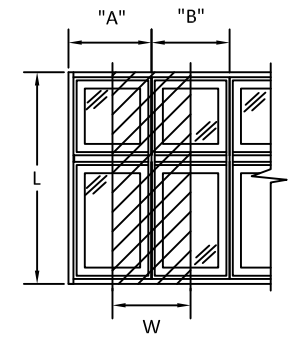
100 FOURTH AVE NORTH
BAYPORT, MN 55003-1096
PH: (651) 264-5150 FX: (651) 264-5485

TITLE: E-SERIES SPECIALTY FIXED WINDOW (NON-HVHZ) (NON-IMPACT)
1" X 3-1/2" MULLION LOADS TABLE - TWO WAY

PREPARED BY: BUILDING DROPS, INC.
398 E. DANIA BEACH BLVD., STE. 338
DANIA BEACH, FL 33004
PH: (954) 399-8478
FAX: (954) 744-4738
WEB: www.buildingdrops.com



1" X 3 1/2"
LVL MULL PROFILE



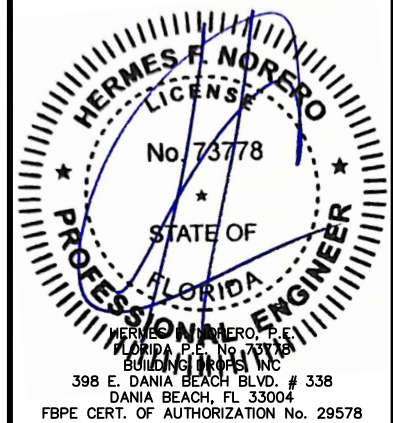
$$\frac{A+B}{2} = W$$

MAXIMUM DESIGN PRESSURE CAPACITY CHART (PSF)															
1" X 3-1/2" STRUCTURAL MULLION (TWO-WAY) CONFIGURATION															
L - Mull Length (in)	W - Tributary Width (in)														
	24.0	36.0	48.0	60.0	72.0	84.0	96.0	108.0	120.0	132.0	144.0	156.0	168.0	180.0	192.0
24.0	75.00	75.00	75.00	75.00	75.00	66.86	58.50	52.00	46.80	42.55	39.00	36.00	33.43	31.20	29.25
30.0	75.00	75.00	75.00	74.88	62.40	53.49	46.80	41.60	37.44	34.04	31.20	28.80	26.74	24.96	23.40
36.0	75.00	75.00	75.00	62.40	52.00	44.57	39.00	34.67	31.20	28.36	26.00	24.00	22.29	20.80	19.50
42.0	75.00	75.00	66.86	53.49	44.57	38.20	33.43	29.71	26.74	24.31	22.29	20.57	19.10	17.83	16.71
48.0	75.00	75.00	58.50	46.80	39.00	33.43	29.25	26.00	23.40	21.27	19.50	18.00	16.71	15.60	14.63
54.0	75.00	69.33	52.00	41.60	34.67	29.71	26.00	23.11	20.80	18.91	17.33	16.00	14.86	13.87	13.00
60.0	75.00	62.40	46.80	37.44	31.20	26.74	23.40	20.80	18.72	17.02	15.60	14.40	13.37	12.48	11.70
66.0	75.00	56.73	42.55	34.04	28.36	24.31	21.27	18.91	17.02	15.47	14.18	13.09	12.16	11.35	10.64
72.0	75.00	52.00	39.00	31.20	26.00	22.29	19.50	17.33	15.60	14.18	13.00	12.00	11.14	10.40	9.75
78.0	72.00	48.00	36.00	28.80	24.00	20.57	18.00	16.00	14.40	13.09	12.00	11.08	10.29	9.60	9.00
84.0	65.61	43.74	32.81	26.24	21.87	18.75	16.40	14.58	13.12	11.93	10.94	10.09	9.37	8.75	8.20
90.0	53.34	35.56	26.67	21.34	17.78	15.24	13.34	11.85	10.67	9.70	8.89	8.21	7.62	7.11	6.67
96.0	43.95	29.30	21.98	17.58	14.65	12.56	10.99	9.77	8.79	7.99	7.33	6.76	6.28	5.86	5.49
102.0	36.65	24.43	18.32	14.66	12.22	10.47	9.16	8.14	7.33	6.66	6.11	5.64	5.24	4.89	4.58
108.0	30.87	20.58	15.44	12.35	10.29	8.82	7.72	6.86	6.17	5.61	5.15	4.75	4.41	4.12	3.86
114.0	26.25	17.50	13.12	10.50	8.75	7.50	6.56	5.83	5.25	4.77	4.37	4.04	3.75	3.50	3.28
120.0	22.50	15.00	11.25	9.00	7.50	6.43	5.63	5.00	4.50	4.09	3.75	3.46	3.21	3.00	2.81
126.0	19.44	12.96	9.72	7.78	6.48	5.55	4.86	4.32	3.89	3.53	3.24	2.99	2.78	2.59	2.43
132.0	16.91	11.27	8.45	6.76	5.64	4.83	4.23	3.76	3.38	3.07	2.82	2.60	2.42	2.25	2.11
138.0	14.80	9.86	7.40	5.92	4.93	4.23	3.70	3.29	2.96	2.69	2.47	2.28	2.11	1.97	1.85
144.0	13.02	8.68	6.51	5.21	4.34	3.72	3.26	2.89	2.60	2.37	2.17	2.00	1.86	1.74	1.63
150.0	11.52	7.68	5.76	4.61	3.84	3.29	2.88	2.56	2.30	2.09	1.92	1.77	1.65	1.54	1.44
156.0	10.24	6.83	5.12	4.10	3.41	2.93	2.56	2.28	2.05	1.86	1.71	1.58	1.46	1.37	1.28
162.0	9.15	6.10	4.57	3.66	3.05	2.61	2.29	2.03	1.83	1.66	1.52	1.41	1.31	1.22	1.14
168.0	8.20	5.47	4.10	3.28	2.73	2.34	2.05	1.82	1.64	1.49	1.37	1.26	1.17	1.09	1.03
174.0	7.38	4.92	3.69	2.95	2.46	2.11	1.85	1.64	1.48	1.34	1.23	1.14	1.05	0.98	0.92
180.0	6.67	4.45	3.33	2.67	2.22	1.91	1.67	1.48	1.33	1.21	1.11	1.03	0.95	0.89	0.83
186.0	6.04	4.03	3.02	2.42	2.01	1.73	1.51	1.34	1.21	1.10	1.01	0.93	0.86	0.81	0.76
192.0	5.49	3.66	2.75	2.20	1.83	1.57	1.37	1.22	1.10	1.00	0.92	0.85	0.78	0.73	0.69

- NOTE:**
- 1) MULLION CHART APPLIES TO 1" X 3 1/2" LVL MULL ASSEMBLIES, WHEN MULLED IN TWO-WAY CONFIGURATIONS.
 - 2) DESIGN PRESSURE VALUES ARE POSITIVE AND NEGATIVE IN PSF.
 - 3) MAXIMUM DEFLECTION HAS BEEN LIMITED TO L/175.
 - 4) DESIGN PRESSURE OF ASSEMBLY IS LIMITED TO THE LESSER DESIGN PRESSURE OF THE MULLION ASSEMBLY OR THE INDIVIDUAL UNIT OF INSTALLATION. ADJACENT E-SERIES WINDOWS OR DOORS SHALL BE UNDER SEPARATE FL APPROVAL.
 - 5) MULLION CHART APPLIES TO THE INSTALLATION CONDITIONS LISTED ON SHEET 10
 - 6) TRIBUTARY WIDTH = $W = (A+B)/2$
 - 7) WHEN WINDOWS ARE STACKED VERTICALLY, THE MANUFACTURER/INSTALLER SHALL ENSURE THAT THE WEIGHT OF UNITS ABOVE WILL NOT CAUSE DEFLECTIONS OR STRESSES WHICH WILL AFFECT OPERATION OR STRUCTURAL ADEQUACY OF UNITS BELOW.

REMARKS	BY	DATE
1/2" LVL MULL ADDITION	HR	4.3.19
ADDED MULL & DP CHARTS	LL	7.15.19
7TH FBC CODE CHANGE	NUS	6.28.20
2023 FBC CODE CHANGE	MS	5/31/23

THE INSTALLATION DETAILS DESCRIBED HEREIN ARE GENERIC AND MAY NOT REFLECT ACTUAL CONDITIONS FOR A SPECIFIC SITE. IF SITE CONDITIONS CAUSE INSTALLATION TO DEVIATE FROM THE REQUIREMENTS DETAILED HEREIN, A LICENSED ENGINEER OR ARCHITECT SHALL PREPARE SITE SPECIFIC DOCUMENTS FOR USE WITH THIS DOCUMENT.



FL #: **FL24230**

DATE: **10.12.17**

DWG. BY: **AG** CHK. BY: **HFN**

SCALE: **NTS**

DWG. #: **AWD208**

SHEET: **23**

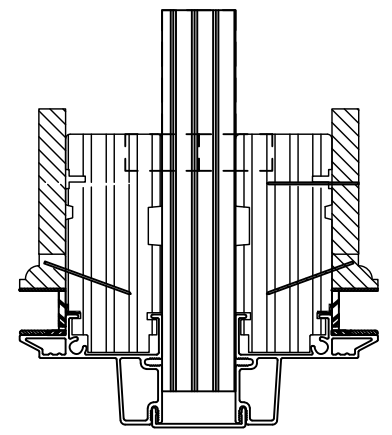
OF 29

6/8/2023 5:59 PM s:\projects\andersen_windows\cc-23-0406 - fbc 2023 code change (8th edition)\124230\dwgs\awd208 - e-series specialty fixed window (non-hvz)(non-impact).dwg

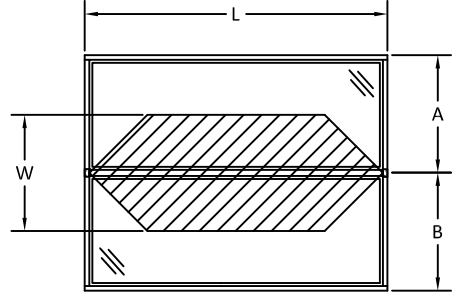
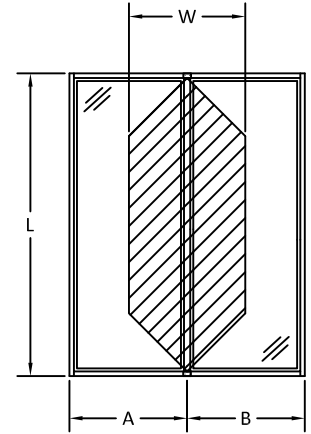
6/8/2023 5:59 PM

s:\projects\andersen windows\cc-23-0406 - fbc 2023 code change (8th edition)\124230\dwgs\awd208 - e-series specialty fixed window (non-hvhl)(non-impact).dwg

MAXIMUM DESIGN PRESSURE CAPACITY CHART (PSF)															
1" X 5-3/16" STRUCTURAL MULLION (ONE-WAY) CONFIGURATION															
L - Mull Length (in)	W - Tributary Width (in)														
	24.0	36.0	48.0	60.0	72.0	84.0	96.0	108.0	120.0	132.0	144.0	156.0	168.0	180.0	192.0
24.0	75.00	75.00	75.00	75.00	75.00	75.00	75.00	75.00	75.00	75.00	75.00	75.00	75.00	75.00	75.00
30.0	75.00	75.00	75.00	75.00	75.00	75.00	75.00	75.00	75.00	75.00	75.00	75.00	75.00	75.00	75.00
36.0	75.00	75.00	75.00	75.00	75.00	75.00	75.00	75.00	75.00	75.00	75.00	75.00	75.00	75.00	75.00
42.0	75.00	75.00	75.00	75.00	75.00	75.00	75.00	75.00	75.00	75.00	75.00	75.00	75.00	75.00	75.00
48.0	75.00	75.00	75.00	75.00	75.00	75.00	75.00	75.00	75.00	75.00	75.00	75.00	75.00	75.00	75.00
54.0	75.00	75.00	75.00	75.00	75.00	75.00	75.00	75.00	75.00	75.00	75.00	75.00	75.00	75.00	75.00
60.0	75.00	75.00	75.00	74.88	74.88	74.88	74.88	74.88	74.88	74.88	74.88	74.88	74.88	74.88	74.88
66.0	75.00	75.00	66.86	62.40	61.88	61.88	61.88	61.88	61.88	61.88	61.88	61.88	61.88	61.88	61.88
72.0	75.00	69.33	58.50	53.49	52.00	52.00	52.00	52.00	52.00	52.00	52.00	52.00	52.00	52.00	52.00
78.0	75.00	62.40	52.00	46.80	44.57	44.31	44.31	44.31	44.31	44.31	44.31	44.31	44.31	44.31	44.31
84.0	75.00	56.73	46.80	41.60	39.00	38.20	38.20	38.20	38.20	38.20	38.20	38.20	38.20	38.20	38.20
90.0	72.00	52.00	42.55	37.44	34.67	33.43	33.28	33.28	33.28	33.28	33.28	33.28	33.28	33.28	33.28
96.0	66.86	48.00	39.00	34.04	31.20	29.71	29.25	29.25	29.25	29.25	29.25	29.25	29.25	29.25	29.25
102.0	62.40	44.57	36.00	31.20	28.36	26.74	26.00	25.91	25.91	25.91	25.91	25.91	25.91	25.91	25.91
108.0	58.50	41.60	33.18	27.80	24.56	22.63	21.59	21.25	21.25	21.25	21.25	21.25	21.25	21.25	21.25
114.0	52.94	36.13	27.98	23.33	20.47	18.70	17.67	17.19	17.12	17.12	17.12	17.12	17.12	17.12	17.12
120.0	45.31	30.85	23.82	19.77	17.26	15.66	14.67	14.13	13.94	13.94	13.94	13.94	13.94	13.94	13.94
126.0	39.08	26.56	20.45	16.92	14.70	13.26	12.33	11.77	11.51	11.47	11.47	11.47	11.47	11.47	11.47
132.0	33.94	23.03	17.69	14.59	12.63	11.33	10.47	9.93	9.63	9.52	9.52	9.52	9.52	9.52	9.52
138.0	29.67	20.10	15.41	12.68	10.94	9.77	8.98	8.46	8.15	8.00	7.97	7.97	7.97	7.97	7.97
144.0	26.08	17.65	13.51	11.09	9.54	8.49	7.77	7.28	6.97	6.79	6.72	6.72	6.72	6.72	6.72
150.0	23.06	15.58	11.91	9.76	8.37	7.43	6.77	6.32	6.01	5.82	5.73	5.71	5.71	5.71	5.71
156.0	20.48	13.83	10.55	8.63	7.39	6.54	5.94	5.52	5.22	5.03	4.92	4.88	4.88	4.88	4.88
162.0	18.27	12.33	9.40	7.67	6.55	5.79	5.24	4.85	4.57	4.38	4.27	4.21	4.20	4.20	4.20
168.0	16.38	11.04	8.40	6.85	5.84	5.15	4.65	4.29	4.03	3.85	3.73	3.66	3.63	3.63	3.63
174.0	14.73	9.92	7.55	6.14	5.23	4.60	4.15	3.82	3.57	3.40	3.28	3.20	3.16	3.15	3.15
180.0	13.30	8.95	6.80	5.53	4.70	4.13	3.72	3.41	3.18	3.02	2.90	2.82	2.77	2.75	2.75
186.0	12.05	8.10	6.15	5.00	4.25	3.72	3.34	3.06	2.85	2.69	2.58	2.50	2.45	2.42	2.42
192.0	10.95	7.36	5.58	4.53	3.85	3.37	3.02	2.76	2.56	2.41	2.30	2.22	2.17	2.14	2.13



1" X 5 3/16" LVL MULLION PROFILE



$$\frac{A + B}{2} = W$$

- NOTE:**
- 1) MULLION CHART APPLIES TO 1" X 5 3/16" LVL MULLION ASSEMBLIES, WHEN MULLED IN ONE-WAY CONFIGURATIONS.
 - 2) DESIGN PRESSURE VALUES ARE POSITIVE AND NEGATIVE IN PSF.
 - 3) MAXIMUM DEFLECTION HAS BEEN LIMITED TO L/175.
 - 4) DESIGN PRESSURE OF ASSEMBLY IS LIMITED TO THE LESSER DESIGN PRESSURE OF THE MULLION ASSEMBLY OR THE INDIVIDUAL UNIT OF INSTALLATION. ADJACENT E-SERIES WINDOWS OR DOORS SHALL BE UNDER SEPARATE FL APPROVAL.
 - 5) MULLION CHART APPLIES TO THE INSTALLATION CONDITIONS LISTED ON SHEET 10
 - 6) TRIBUTARY WIDTH = $W = (A+B)/2$
 - 7) WHEN WINDOWS ARE STACKED VERTICALLY, THE MANUFACTURER/INSTALLER SHALL ENSURE THAT THE WEIGHT OF UNITS ABOVE WILL NOT CAUSE DEFLECTIONS OR STRESSES WHICH WILL AFFECT OPERATION OR STRUCTURAL ADEQUACY OF UNITS BELOW.



100 FOURTH AVE NORTH
BAYPORT, MN 55003-1096
PH: (651) 264-5150 FX: (651) 264-5485

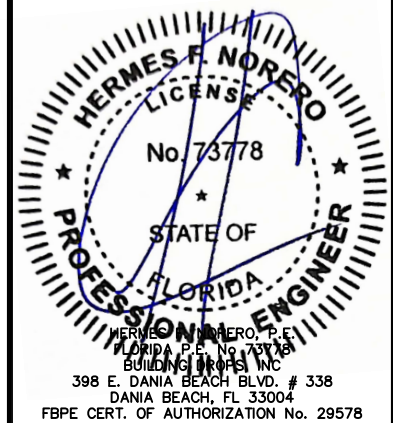
TITLE: E-SERIES SPECIALTY FIXED WINDOW (NON-HVHZ) (NON-IMPACT)
1" X 5 3/16" MULLION LOADS TABLE - ONE WAY

PREPARED BY:
BUILDING DROPS, INC.
398 E. DANIA BEACH BLVD., STE. 338
DANIA BEACH, FL 33004
PH: (954) 399-8478
FAX: (954) 744-4738
WEB: www.buildingdrops.com



REMARKS	BY	DATE
1/2" LVL MULLION ADDITION	HR	4.3.19
ADDED MULL & DP CHARTS	LL	7.15.19
7TH FBC CODE CHANGE	NUS	6.28.20
2023 FBC CODE CHANGE	MS	5/31/23

THE INSTALLATION DETAILS DESCRIBED HEREIN ARE GENERIC AND MAY NOT REFLECT ACTUAL CONDITIONS FOR A SPECIFIC SITE. IF SITE CONDITIONS CAUSE INSTALLATION TO DEVIATE FROM THE REQUIREMENTS DETAILED HEREIN, A LICENSED ENGINEER OR ARCHITECT SHALL PREPARE SITE SPECIFIC DOCUMENTS FOR USE WITH THIS DOCUMENT.



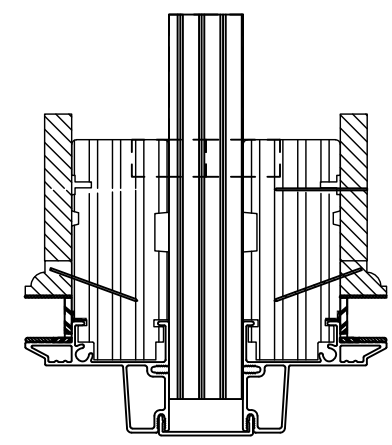
FL #:	FL24230
DATE:	10.12.17
DWG. BY:	AG
CHK. BY:	HFN
SCALE:	NTS
DWG. #:	AWD208
SHEET:	24

6/8/2023 5:59 PM

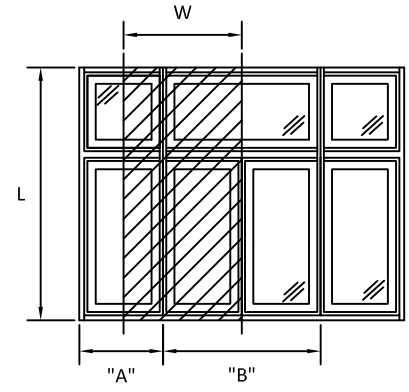
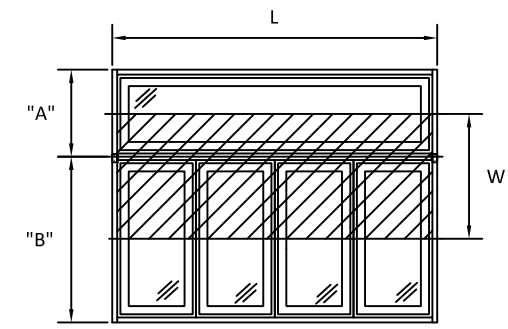
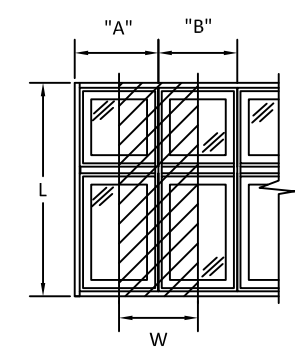
s:\projects\andersen windows\cc-23-0406 - fbc 2023 code change (8th edition)\124230\dwgs\awd208 - e-series specialty fixed window (non-impact).dwg

MAXIMUM DESIGN PRESSURE CAPACITY CHART (PSF)															
1" X 5-3/16" STRUCTURAL MULLION (TWO-WAY) CONFIGURATION															
L - Mull Length (in)	W - Tributary Width (in)														
	24.0	36.0	48.0	60.0	72.0	84.0	96.0	108.0	120.0	132.0	144.0	156.0	168.0	180.0	192.0
24.0	75.00	75.00	75.00	75.00	75.00	66.86	58.50	52.00	46.80	42.55	39.00	36.00	33.43	31.20	29.25
30.0	75.00	75.00	75.00	74.88	62.40	53.49	46.80	41.60	37.44	34.04	31.20	28.80	26.74	24.96	23.40
36.0	75.00	75.00	75.00	62.40	52.00	44.57	39.00	34.67	31.20	28.36	26.00	24.00	22.29	20.80	19.50
42.0	75.00	75.00	66.86	53.49	44.57	38.20	33.43	29.71	26.74	24.31	22.29	20.57	19.10	17.83	16.71
48.0	75.00	75.00	58.50	46.80	39.00	33.43	29.25	26.00	23.40	21.27	19.50	18.00	16.71	15.60	14.63
54.0	75.00	69.33	52.00	41.60	34.67	29.71	26.00	23.11	20.80	18.91	17.33	16.00	14.86	13.87	13.00
60.0	75.00	62.40	46.80	37.44	31.20	26.74	23.40	20.80	18.72	17.02	15.60	14.40	13.37	12.48	11.70
66.0	75.00	56.73	42.55	34.04	28.36	24.31	21.27	18.91	17.02	15.47	14.18	13.09	12.16	11.35	10.64
72.0	75.00	52.00	39.00	31.20	26.00	22.29	19.50	17.33	15.60	14.18	13.00	12.00	11.14	10.40	9.75
78.0	72.00	48.00	36.00	28.80	24.00	20.57	18.00	16.00	14.40	13.09	12.00	11.08	10.29	9.60	9.00
84.0	66.86	44.57	33.43	26.74	22.29	19.10	16.71	14.86	13.37	12.16	11.14	10.29	9.55	8.91	8.36
90.0	62.40	41.60	31.20	24.96	20.80	17.83	15.60	13.87	12.48	11.35	10.40	9.60	8.91	8.32	7.80
96.0	58.50	39.00	29.25	23.40	19.50	16.71	14.63	13.00	11.70	10.64	9.75	9.00	8.36	7.80	7.31
102.0	55.06	36.71	27.53	22.02	18.35	15.73	13.76	12.24	11.01	10.01	9.18	8.47	7.87	7.34	6.88
108.0	52.00	34.67	26.00	20.80	17.33	14.86	13.00	11.56	10.40	9.45	8.67	8.00	7.43	6.93	6.50
114.0	49.26	32.84	24.63	19.71	16.42	14.08	12.32	10.95	9.85	8.96	8.21	7.58	7.04	6.57	6.16
120.0	44.61	29.74	22.31	17.85	14.87	12.75	11.15	9.91	8.92	8.11	7.44	6.86	6.37	5.95	5.58
126.0	38.54	25.69	19.27	15.42	12.85	11.01	9.63	8.56	7.71	7.01	6.42	5.93	5.51	5.14	4.82
132.0	33.52	22.35	16.76	13.41	11.17	9.58	8.38	7.45	6.70	6.09	5.59	5.16	4.79	4.47	4.19
138.0	29.33	19.56	14.67	11.73	9.78	8.38	7.33	6.52	5.87	5.33	4.89	4.51	4.19	3.91	3.67
144.0	25.82	17.21	12.91	10.33	8.61	7.38	6.45	5.74	5.16	4.69	4.30	3.97	3.69	3.44	3.23
150.0	22.84	15.23	11.42	9.14	7.61	6.53	5.71	5.08	4.57	4.15	3.81	3.51	3.26	3.05	2.86
156.0	20.31	13.54	10.15	8.12	6.77	5.80	5.08	4.51	4.06	3.69	3.38	3.12	2.90	2.71	2.54
162.0	18.13	12.09	9.07	7.25	6.04	5.18	4.53	4.03	3.63	3.30	3.02	2.79	2.59	2.42	2.27
168.0	16.26	10.84	8.13	6.50	5.42	4.65	4.06	3.61	3.25	2.96	2.71	2.50	2.32	2.17	2.03
174.0	14.63	9.76	7.32	5.85	4.88	4.18	3.66	3.25	2.93	2.66	2.44	2.25	2.09	1.95	1.83
180.0	13.22	8.81	6.61	5.29	4.41	3.78	3.30	2.94	2.64	2.40	2.20	2.03	1.89	1.76	1.65
186.0	11.98	7.99	5.99	4.79	3.99	3.42	3.00	2.66	2.40	2.18	2.00	1.84	1.71	1.60	1.50
192.0	10.89	7.26	5.45	4.36	3.63	3.11	2.72	2.42	2.18	1.98	1.82	1.68	1.56	1.45	1.36

- NOTE:**
- 1) MULLION CHART APPLIES TO 1" X 5 3/16" LVL MULL ASSEMBLIES, WHEN MULLED IN TWO-WAY CONFIGURATIONS.
 - 2) DESIGN PRESSURE VALUES ARE POSITIVE AND NEGATIVE IN PSF.
 - 3) MAXIMUM DEFLECTION HAS BEEN LIMITED TO L/175.
 - 4) DESIGN PRESSURE OF ASSEMBLY IS LIMITED TO THE LESSER DESIGN PRESSURE OF THE MULLION ASSEMBLY OR THE INDIVIDUAL UNIT OF INSTALLATION. ADJACENT E-SERIES WINDOWS OR DOORS SHALL BE UNDER SEPARATE FL APPROVAL.
 - 5) MULLION CHART APPLIES TO THE INSTALLATION CONDITIONS LISTED ON SHEET 10
 - 6) TRIBUTARY WIDTH = W = (A+B)/2
 - 7) WHEN WINDOWS ARE STACKED VERTICALLY, THE MANUFACTURER/INSTALLER SHALL ENSURE THAT THE WEIGHT OF UNITS ABOVE WILL NOT CAUSE DEFLECTIONS OR STRESSES WHICH WILL AFFECT OPERATION OR STRUCTURAL ADEQUACY OF UNITS BELOW.



**1" X 5 3/16"
LVL MULL PROFILE**



$$\frac{A + B}{2} = W$$



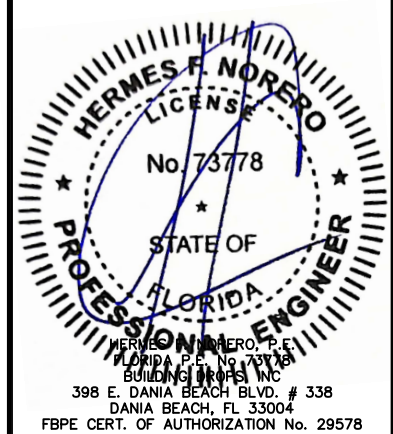
100 FOURTH AVE NORTH
BAYPORT, MN 55003-1096
PH: (651) 264-5150 FX: (651) 264-5485

TITLE: E-SERIES SPECIALTY FIXED WINDOW (NON-HVHZ) (NON-IMPACT)
1" X 5 3/16" MULLION LOADS TABLE - TWO WAY

PREPARED BY:
BUILDING DROPS, INC.
398 E. DANIA BEACH BLVD., STE. 338
DANIA BEACH, FL 33004
PH: (954) 399-8478
FAX: (954) 744-4738
WEB: www.buildingdrops.com

REMARKS	BY	DATE
1/2" LVL MULL ADDITION	HR	4.3.19
ADDED MULL & DP CHARTS	LL	7.15.19
7TH FBC CODE CHANGE	NUS	6.28.20
2023 FBC CODE CHANGE	MS	5/31/23

THE INSTALLATION DETAILS DESCRIBED HEREIN ARE GENERIC AND MAY NOT REFLECT ACTUAL CONDITIONS FOR A SPECIFIC SITE. IF SITE CONDITIONS CAUSE INSTALLATION TO DEVIATE FROM THE REQUIREMENTS DETAILED HEREIN, A LICENSED ENGINEER OR ARCHITECT SHALL PREPARE SITE SPECIFIC DOCUMENTS FOR USE WITH THIS DOCUMENT.



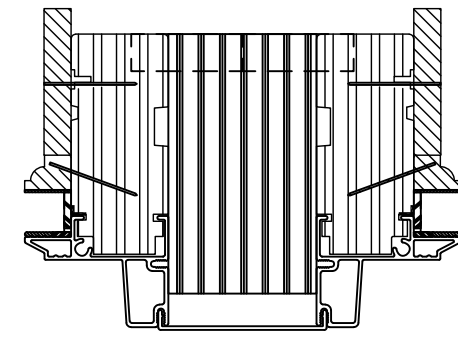
FL #:	FL24230
DATE:	10.12.17
DWG. BY:	AG
CHK. BY:	HFN
SCALE:	NTS
DWG. #:	AWD208
SHEET:	25



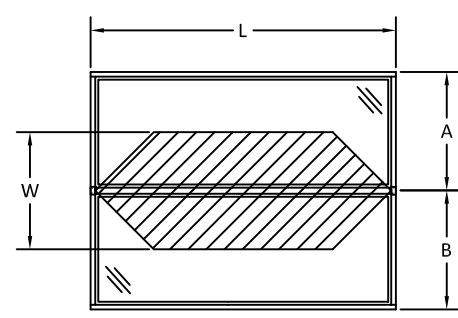
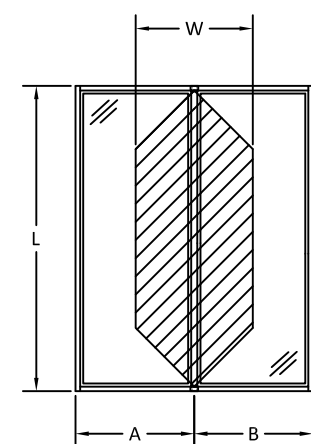
100 FOURTH AVE NORTH
BAYPORT, MN 55003-1096
PH: (651) 264-5150 FX: (651) 264-5485

TITLE: E-SERIES SPECIALTY FIXED WINDOW (NON-HVHZ) (NON-IMPACT)
2" X 3-1/2" MULLION LOADS TABLE - ONE WAY

PREPARED BY: BUILDING DROPS, INC.
398 E. DANIA BEACH BLVD., STE. 338
DANIA BEACH, FL 33004
PH: (954) 399-8478
FAX: (954) 744-4738
WEB: www.buildingdrops.com



2" X 3 1/2"
LVL MULL PROFILE



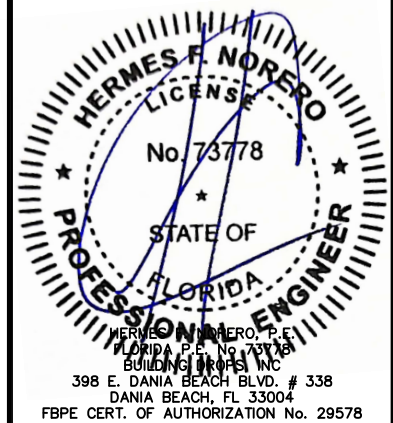
$$\frac{A + B}{2} = W$$

L - Mull Length (in)	W - Tributary Width (in)														
	24.0	36.0	48.0	60.0	72.0	84.0	96.0	108.0	120.0	132.0	144.0	156.0	168.0	180.0	192.0
24.0	75.00	75.00	75.00	75.00	75.00	75.00	75.00	75.00	75.00	75.00	75.00	75.00	75.00	75.00	75.00
30.0	75.00	75.00	75.00	75.00	75.00	75.00	75.00	75.00	75.00	75.00	75.00	75.00	75.00	75.00	75.00
36.0	75.00	75.00	75.00	75.00	75.00	75.00	75.00	75.00	75.00	75.00	75.00	75.00	75.00	75.00	75.00
42.0	75.00	75.00	75.00	75.00	75.00	75.00	75.00	75.00	75.00	75.00	75.00	75.00	75.00	75.00	75.00
48.0	75.00	75.00	75.00	75.00	75.00	75.00	75.00	75.00	75.00	75.00	75.00	75.00	75.00	75.00	75.00
54.0	75.00	75.00	75.00	75.00	75.00	75.00	75.00	75.00	75.00	75.00	75.00	75.00	75.00	75.00	75.00
60.0	75.00	75.00	75.00	74.88	74.88	74.88	74.88	74.88	74.88	74.88	74.88	74.88	74.88	74.88	74.88
66.0	75.00	75.00	66.86	62.40	61.88	61.88	61.88	61.88	61.88	61.88	61.88	61.88	61.88	61.88	61.88
72.0	75.00	69.33	58.50	53.49	52.00	52.00	52.00	52.00	52.00	52.00	52.00	52.00	52.00	52.00	52.00
78.0	75.00	62.40	52.00	46.80	44.57	44.31	44.31	44.31	44.31	44.31	44.31	44.31	44.31	44.31	44.31
84.0	75.00	56.73	46.80	41.60	39.00	38.20	38.20	38.20	38.20	38.20	38.20	38.20	38.20	38.20	38.20
90.0	72.00	52.00	42.55	37.03	33.71	32.25	32.04	32.04	32.04	32.04	32.04	32.04	32.04	32.04	32.04
96.0	64.97	44.75	35.11	29.81	26.81	25.26	24.75	24.75	24.75	24.75	24.75	24.75	24.75	24.75	24.75
102.0	54.00	37.06	28.93	24.38	21.71	20.21	19.52	19.42	19.42	19.42	19.42	19.42	19.42	19.42	19.42
108.0	45.38	31.05	24.13	20.22	17.86	16.45	15.70	15.45	15.45	15.45	15.45	15.45	15.45	15.45	15.45
114.0	38.50	26.27	20.35	16.96	14.89	13.60	12.85	12.50	12.45	12.45	12.45	12.45	12.45	12.45	12.45
120.0	32.95	22.43	17.32	14.38	12.55	11.39	10.67	10.27	10.14	10.14	10.14	10.14	10.14	10.14	10.14
126.0	28.42	19.31	14.87	12.30	10.69	9.64	8.97	8.56	8.37	8.34	8.34	8.34	8.34	8.34	8.34
132.0	24.68	16.75	12.86	10.61	9.18	8.24	7.62	7.22	7.00	6.92	6.92	6.92	6.92	6.92	6.92
138.0	21.58	14.62	11.21	9.22	7.95	7.11	6.53	6.16	5.93	5.81	5.80	5.80	5.80	5.80	5.80
150.0	16.77	11.33	8.66	7.09	6.09	5.40	4.92	4.59	4.37	4.23	4.16	4.15	4.15	4.15	4.15
156.0	14.89	10.05	7.67	6.28	5.37	4.75	4.32	4.01	3.80	3.66	3.58	3.55	3.55	3.55	3.55
162.0	13.29	8.96	6.83	5.58	4.77	4.21	3.81	3.53	3.33	3.19	3.10	3.06	3.05	3.05	3.05
168.0	11.91	8.03	6.11	4.98	4.25	3.74	3.38	3.12	2.93	2.80	2.71	2.66	2.64	2.64	2.64
174.0	10.71	7.21	5.49	4.47	3.81	3.35	3.02	2.77	2.60	2.47	2.38	2.33	2.30	2.29	2.29
180.0	9.67	6.51	4.95	4.02	3.42	3.00	2.70	2.48	2.31	2.19	2.11	2.05	2.02	2.00	2.00
186.0	8.76	5.89	4.47	3.64	3.09	2.71	2.43	2.23	2.07	1.96	1.87	1.82	1.78	1.76	1.76
192.0	7.96	5.35	4.06	3.30	2.80	2.45	2.19	2.01	1.86	1.76	1.68	1.62	1.58	1.56	1.55

- NOTE:**
- 1) MULLION CHART APPLIES TO 2" X 3 1/2" LVL MULL ASSEMBLIES, WHEN MULLED IN ONE-WAY CONFIGURATIONS.
 - 2) DESIGN PRESSURE VALUES ARE POSITIVE AND NEGATIVE IN PSF.
 - 3) MAXIMUM DEFLECTION HAS BEEN LIMITED TO L/175.
 - 4) DESIGN PRESSURE OF ASSEMBLY IS LIMITED TO THE LESSER DESIGN PRESSURE OF THE MULLION ASSEMBLY OR THE INDIVIDUAL UNIT OF INSTALLATION. ADJACENT E-SERIES WINDOWS OR DOORS SHALL BE UNDER SEPARATE FL APPROVAL.
 - 5) MULLION CHART APPLIES TO THE INSTALLATION CONDITIONS LISTED ON SHEET 10
 - 6) TRIBUTARY WIDTH = $W = (A+B)/2$
 - 7) WHEN WINDOWS ARE STACKED VERTICALLY, THE MANUFACTURER/INSTALLER SHALL ENSURE THAT THE WEIGHT OF UNITS ABOVE WILL NOT CAUSE DEFLECTIONS OR STRESSES WHICH WILL AFFECT OPERATION OR STRUCTURAL ADEQUACY OF UNITS BELOW.

REMARKS	BY	DATE
1/2" LVL MULL ADDITION	HR	4.3.19
ADDED MULL & DP CHARTS	LL	7.15.19
7TH FBC CODE CHANGE	NUS	6.28.20
2023 FBC CODE CHANGE	MS	5/31/23

THE INSTALLATION DETAILS DESCRIBED HEREIN ARE GENERIC AND MAY NOT REFLECT ACTUAL CONDITIONS FOR A SPECIFIC SITE. IF SITE CONDITIONS CAUSE INSTALLATION TO DEVIATE FROM THE REQUIREMENTS DETAILED HEREIN, A LICENSED ENGINEER OR ARCHITECT SHALL PREPARE SITE SPECIFIC DOCUMENTS FOR USE WITH THIS DOCUMENT.



FL #:
FL24230

DATE: **10.12.17**

DWG. BY: **AG** CHK. BY: **HFN**

SCALE: **NTS**

DWG. #: **AWD208**

SHEET:

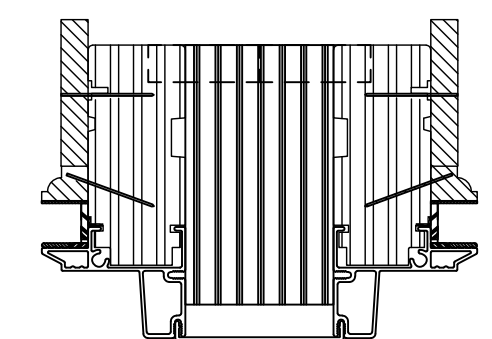
6/8/2023 5:59 PM s:\projects\andersen_windows\cc-23-0406 - fbc 2023 code change (8th edition)\124230\dwgs\awd208 - e-series specialty fixed window (non-hvz)(non-impact).dwg



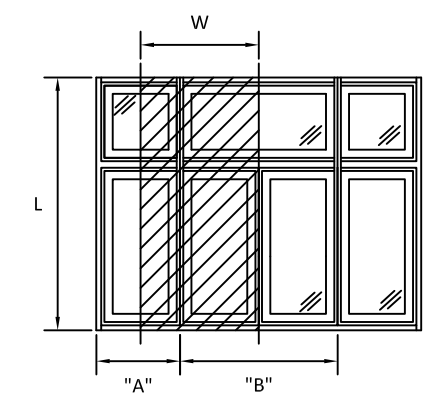
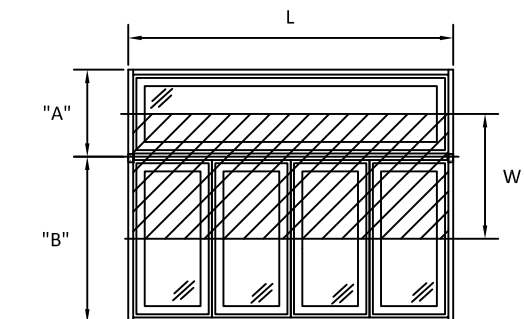
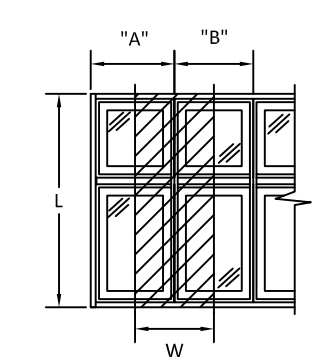
100 FOURTH AVE NORTH
BAYPORT, MN 55003-1096
PH: (651) 264-5150 FX: (651) 264-5485

TITLE: E-SERIES SPECIALTY FIXED WINDOW (NON-HVHZ) (NON-IMPACT)
2" X 3-1/2" MULLION LOADS TABLE - TWO WAY

PREPARED BY: BUILDING DROPS, INC.
398 E. DANIA BEACH BLVD., STE. 338
DANIA BEACH, FL 33004
PH: (954) 399-8478
FAX: (954) 744-4738
WEB: www.buildingdrops.com



**2" X 3 1/2"
LVL MULLION PROFILE**



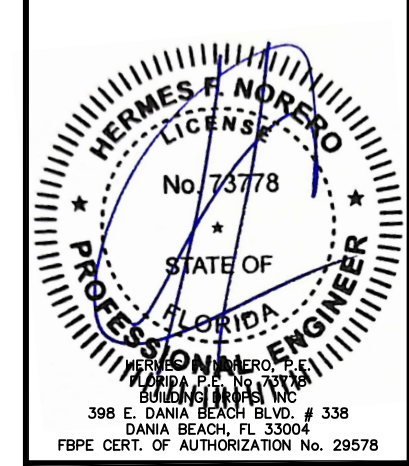
$$\frac{A + B = W}{2}$$

MAXIMUM DESIGN PRESSURE CAPACITY CHART (PSF)															
2" X 3-1/2" STRUCTURAL MULLION (TWO-WAY) CONFIGURATION															
L - Mull Length (in)	W - Tributary Width (in)														
	24.0	36.0	48.0	60.0	72.0	84.0	96.0	108.0	120.0	132.0	144.0	156.0	168.0	180.0	192.0
24.0	75.00	75.00	75.00	75.00	75.00	66.86	58.50	52.00	46.80	42.55	39.00	36.00	33.43	31.20	29.25
30.0	75.00	75.00	75.00	74.88	62.40	53.49	46.80	41.60	37.44	34.04	31.20	28.80	26.74	24.96	23.40
36.0	75.00	75.00	75.00	62.40	52.00	44.57	39.00	34.67	31.20	28.36	26.00	24.00	22.29	20.80	19.50
42.0	75.00	75.00	66.86	53.49	44.57	38.20	33.43	29.71	26.74	24.31	22.29	20.57	19.10	17.83	16.71
48.0	75.00	75.00	58.50	46.80	39.00	33.43	29.25	26.00	23.40	21.27	19.50	18.00	16.71	15.60	14.63
54.0	75.00	69.33	52.00	41.60	34.67	29.71	26.00	23.11	20.80	18.91	17.33	16.00	14.86	13.87	13.00
60.0	75.00	62.40	46.80	37.44	31.20	26.74	23.40	20.80	18.72	17.02	15.60	14.40	13.37	12.48	11.70
66.0	75.00	56.73	42.55	34.04	28.36	24.31	21.27	18.91	17.02	15.47	14.18	13.09	12.16	11.35	10.64
72.0	75.00	52.00	39.00	31.20	26.00	22.29	19.50	17.33	15.60	14.18	13.00	12.00	11.14	10.40	9.75
78.0	72.00	48.00	36.00	28.80	24.00	20.57	18.00	16.00	14.40	13.09	12.00	11.08	10.29	9.60	9.00
84.0	66.86	44.57	33.43	26.74	22.29	19.10	16.71	14.86	13.37	12.16	11.14	10.29	9.55	8.91	8.36
90.0	62.40	41.60	31.20	24.96	20.80	17.83	15.60	13.87	12.48	11.35	10.40	9.60	8.91	8.32	7.80
96.0	58.50	39.00	29.25	23.40	19.50	16.71	14.63	13.00	11.70	10.64	9.75	9.00	8.36	7.80	7.31
102.0	52.83	35.22	26.41	21.13	17.61	15.09	13.21	11.74	10.57	9.61	8.80	8.13	7.55	7.04	6.60
108.0	44.50	29.67	22.25	17.80	14.83	12.72	11.13	9.89	8.90	8.09	7.42	6.85	6.36	5.93	5.56
114.0	37.84	25.23	18.92	15.14	12.61	10.81	9.46	8.41	7.57	6.88	6.31	5.82	5.41	5.05	4.73
120.0	32.44	21.63	16.22	12.98	10.81	9.27	8.11	7.21	6.49	5.90	5.41	4.99	4.63	4.33	4.06
126.0	28.03	18.68	14.01	11.21	9.34	8.01	7.01	6.23	5.61	5.10	4.67	4.31	4.00	3.74	3.50
132.0	24.38	16.25	12.19	9.75	8.13	6.96	6.09	5.42	4.88	4.43	4.06	3.75	3.48	3.25	3.05
138.0	21.33	14.22	10.67	8.53	7.11	6.09	5.33	4.74	4.27	3.88	3.56	3.28	3.05	2.84	2.67
144.0	18.78	12.52	9.39	7.51	6.26	5.36	4.69	4.17	3.76	3.41	3.13	2.89	2.68	2.50	2.35
150.0	16.61	11.07	8.31	6.64	5.54	4.75	4.15	3.69	3.32	3.02	2.77	2.56	2.37	2.21	2.08
156.0	14.77	9.84	7.38	5.91	4.92	4.22	3.69	3.28	2.95	2.68	2.46	2.27	2.11	1.97	1.85
162.0	13.19	8.79	6.59	5.27	4.40	3.77	3.30	2.93	2.64	2.40	2.20	2.03	1.88	1.76	1.65
168.0	11.82	7.88	5.91	4.73	3.94	3.38	2.96	2.63	2.36	2.15	1.97	1.82	1.69	1.58	1.48
174.0	10.64	7.09	5.32	4.26	3.55	3.04	2.66	2.36	2.13	1.93	1.77	1.64	1.52	1.42	1.33
180.0	9.61	6.41	4.81	3.85	3.20	2.75	2.40	2.14	1.92	1.75	1.60	1.48	1.37	1.28	1.20
186.0	8.71	5.81	4.36	3.48	2.90	2.49	2.18	1.94	1.74	1.58	1.45	1.34	1.24	1.16	1.09
192.0	7.92	5.28	3.96	3.17	2.64	2.26	1.98	1.76	1.58	1.44	1.32	1.22	1.13	1.06	0.99

- NOTE:**
- MULLION CHART APPLIES TO 2" X 3 1/2" LVL MULL ASSEMBLIES, WHEN MULLED IN TWO-WAY CONFIGURATIONS.
 - DESIGN PRESSURE VALUES ARE POSITIVE AND NEGATIVE IN PSF.
 - MAXIMUM DEFLECTION HAS BEEN LIMITED TO L/175.
 - DESIGN PRESSURE OF ASSEMBLY IS LIMITED TO THE LESSER DESIGN PRESSURE OF THE MULLION ASSEMBLY OR THE INDIVIDUAL UNIT OF INSTALLATION. ADJACENT E-SERIES WINDOWS OR DOORS SHALL BE UNDER SEPARATE FL APPROVAL.
 - MULLION CHART APPLIES TO THE INSTALLATION CONDITIONS LISTED ON SHEET 10
 - TRIBUTARY WIDTH = $W = (A+B)/2$
 - WHEN WINDOWS ARE STACKED VERTICALLY, THE MANUFACTURER/INSTALLER SHALL ENSURE THAT THE WEIGHT OF UNITS ABOVE WILL NOT CAUSE DEFLECTIONS OR STRESSES WHICH WILL AFFECT OPERATION OR STRUCTURAL ADEQUACY OF UNITS BELOW.

REMARKS	BY	DATE
1/2" LVL MULL ADDITION	HR	4.3.19
ADDED MULL & DP CHARTS	LL	7.15.19
7TH FBC CODE CHANGE	NUS	6.28.20
2023 FBC CODE CHANGE	MS	5/31/23

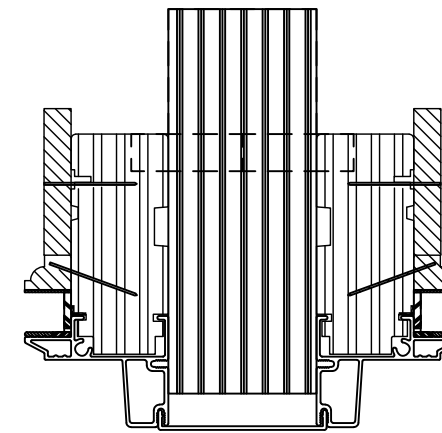
THE INSTALLATION DETAILS DESCRIBED HEREIN ARE GENERIC AND MAY NOT REFLECT ACTUAL CONDITIONS FOR A SPECIFIC SITE. IF SITE CONDITIONS CAUSE INSTALLATION TO DEVIATE FROM THE REQUIREMENTS DETAILED HEREIN, A LICENSED ENGINEER OR ARCHITECT SHALL PREPARE SITE SPECIFIC DOCUMENTS FOR USE WITH THIS DOCUMENT.



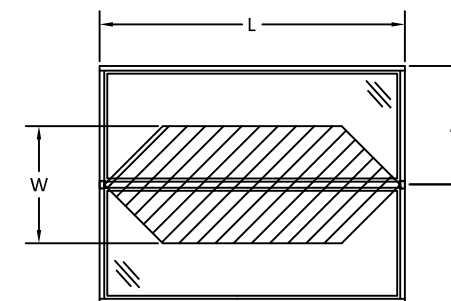
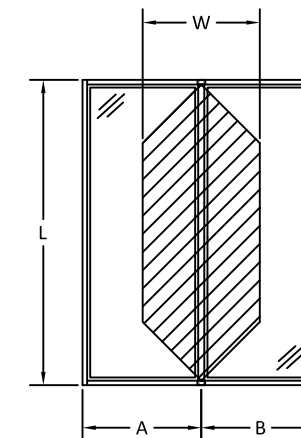
FL #:	FL24230
DATE:	10.12.17
DWG. BY:	AG
CHK. BY:	HFN
SCALE:	NTS
DWG. #:	AWD208
SHEET:	27

**MAXIMUM DESIGN PRESSURE CAPACITY CHART (PSF)
2" X 5-3/16" STRUCTURAL MULLION (ONE-WAY) CONFIGURATION**

L - Mull Length (in)	W - Tributary Width (in)															
	24.0	36.0	48.0	60.0	72.0	84.0	96.0	108.0	120.0	132.0	144.0	156.0	168.0	180.0	192.0	
24.0	75.00	75.00	75.00	75.00	75.00	75.00	75.00	75.00	75.00	75.00	75.00	75.00	75.00	75.00	75.00	
30.0	75.00	75.00	75.00	75.00	75.00	75.00	75.00	75.00	75.00	75.00	75.00	75.00	75.00	75.00	75.00	
36.0	75.00	75.00	75.00	75.00	75.00	75.00	75.00	75.00	75.00	75.00	75.00	75.00	75.00	75.00	75.00	
42.0	75.00	75.00	75.00	75.00	75.00	75.00	75.00	75.00	75.00	75.00	75.00	75.00	75.00	75.00	75.00	
48.0	75.00	75.00	75.00	75.00	75.00	75.00	75.00	75.00	75.00	75.00	75.00	75.00	75.00	75.00	75.00	
54.0	75.00	75.00	75.00	75.00	75.00	75.00	75.00	75.00	75.00	75.00	75.00	75.00	75.00	75.00	75.00	
60.0	75.00	75.00	75.00	74.88	74.88	74.88	74.88	74.88	74.88	74.88	74.88	74.88	74.88	74.88	74.88	
66.0	75.00	75.00	66.86	62.40	61.88	61.88	61.88	61.88	61.88	61.88	61.88	61.88	61.88	61.88	61.88	
72.0	75.00	69.33	58.50	53.49	52.00	52.00	52.00	52.00	52.00	52.00	52.00	52.00	52.00	52.00	52.00	
78.0	75.00	62.40	52.00	46.80	44.57	44.31	44.31	44.31	44.31	44.31	44.31	44.31	44.31	44.31	44.31	
84.0	75.00	56.73	46.80	41.60	39.00	38.20	38.20	38.20	38.20	38.20	38.20	38.20	38.20	38.20	38.20	
90.0	72.00	52.00	42.55	37.44	34.67	33.43	33.28	33.28	33.28	33.28	33.28	33.28	33.28	33.28	33.28	
96.0	66.86	48.00	39.00	34.04	31.20	29.71	29.25	29.25	29.25	29.25	29.25	29.25	29.25	29.25	29.25	
102.0	62.40	44.57	36.00	31.20	28.36	26.74	26.00	25.91	25.91	25.91	25.91	25.91	25.91	25.91	25.91	
108.0	58.50	41.60	33.43	28.80	26.00	24.31	23.40	23.11	23.11	23.11	23.11	23.11	23.11	23.11	23.11	
114.0	55.06	39.00	31.20	26.74	24.00	22.29	21.27	20.80	20.74	20.74	20.74	20.74	20.74	20.74	20.74	
120.0	52.00	36.71	29.25	24.96	22.29	20.57	19.50	18.91	18.72	18.72	18.72	18.72	18.72	18.72	18.72	
126.0	49.26	34.67	27.53	23.40	20.80	19.10	18.00	17.33	17.02	16.98	16.98	16.98	16.98	16.98	16.98	
132.0	46.80	32.84	26.00	22.02	19.50	17.83	16.71	16.00	15.60	15.47	15.47	15.47	15.47	15.47	15.47	
138.0	44.57	31.20	24.63	20.80	18.35	16.71	15.44	14.54	14.00	13.74	13.70	13.70	13.70	13.70	13.70	
150.0	39.62	26.77	20.46	16.76	14.38	12.76	11.64	10.85	10.32	10.00	9.84	9.81	9.81	9.81	9.81	
156.0	35.19	23.76	18.13	14.83	12.69	11.23	10.21	9.48	8.98	8.64	8.46	8.39	8.39	8.39	8.39	
162.0	31.40	21.18	16.14	13.18	11.26	9.94	9.01	8.34	7.86	7.53	7.33	7.23	7.21	7.21	7.21	
168.0	28.14	18.96	14.44	11.77	10.04	8.85	7.99	7.37	6.93	6.61	6.40	6.28	6.24	6.24	6.24	
174.0	25.31	17.05	12.97	10.56	8.99	7.91	7.13	6.56	6.14	5.84	5.63	5.50	5.43	5.42	5.42	
180.0	22.85	15.38	11.69	9.51	8.08	7.10	6.38	5.86	5.47	5.18	4.98	4.84	4.76	4.73	4.73	
186.0	20.70	13.92	10.57	8.59	7.30	6.39	5.74	5.26	4.90	4.63	4.43	4.29	4.20	4.16	4.15	
192.0	18.81	12.65	9.60	7.79	6.61	5.78	5.18	4.74	4.40	4.15	3.96	3.82	3.73	3.68	3.66	



**2" X 5 3/16"
LVL MULL PROFILE**



$$\frac{A + B}{2} = W$$

- NOTE:**
- 1) MULLION CHART APPLIES TO 2" X 5 3/16" LVL MULL ASSEMBLIES, WHEN MULLED IN ONE-WAY CONFIGURATIONS.
 - 2) DESIGN PRESSURE VALUES ARE POSITIVE AND NEGATIVE IN PSF.
 - 3) MAXIMUM DEFLECTION HAS BEEN LIMITED TO L/175.
 - 4) DESIGN PRESSURE OF ASSEMBLY IS LIMITED TO THE LESSER DESIGN PRESSURE OF THE MULLION ASSEMBLY OR THE INDIVIDUAL UNIT OF INSTALLATION. ADJACENT E-SERIES WINDOWS OR DOORS SHALL BE UNDER SEPARATE FL APPROVAL.
 - 5) MULLION CHART APPLIES TO THE INSTALLATION CONDITIONS LISTED ON SHEET 10
 - 6) TRIBUTARY WIDTH = $W = (A+B)/2$
 - 7) WHEN WINDOWS ARE STACKED VERTICALLY, THE MANUFACTURER/INSTALLER SHALL ENSURE THAT THE WEIGHT OF UNITS ABOVE WILL NOT CAUSE DEFLECTIONS OR STRESSES WHICH WILL AFFECT OPERATION OR STRUCTURAL ADEQUACY OF UNITS BELOW.



100 FOURTH AVE NORTH
BAYPORT, MN 55003-1096
PH: (651) 264-5150 FX: (651) 264-5485

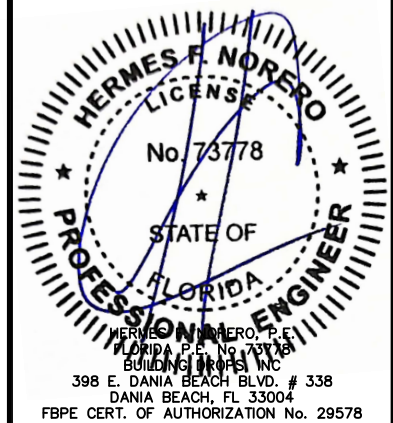
TITLE: E-SERIES SPECIALTY FIXED WINDOW (NON-HVHZ) (NON-IMPACT)
2" X 5 3/16" MULLION LOADS TABLE - ONE WAY

PREPARED BY:
BUILDING DROPS, INC.
398 E. DANIA BEACH BLVD., STE. 338
DANIA BEACH, FL 33004
PH: (954) 399-8478
FAX: (954) 744-4738
WEB: www.buildingdrops.com



REMARKS	BY	DATE
1/2" LVL MULL ADDITION	HR	4.3.19
ADDED MULL & DP CHARTS	LL	7.15.19
7TH FBC CODE CHANGE	NUS	6.28.20
2023 FBC CODE CHANGE	MS	5/31/23

THE INSTALLATION DETAILS DESCRIBED HEREIN ARE GENERIC AND MAY NOT REFLECT ACTUAL CONDITIONS FOR A SPECIFIC SITE. IF SITE CONDITIONS CAUSE INSTALLATION TO DEVIATE FROM THE REQUIREMENTS DETAILED HEREIN, A LICENSED ENGINEER OR ARCHITECT SHALL PREPARE SITE SPECIFIC DOCUMENTS FOR USE WITH THIS DOCUMENT.



FL #:	FL24230
DATE:	10.12.17
DWG. BY:	AG
CHK. BY:	HFN
SCALE:	NTS
DWG. #:	AWD208
SHEET:	28

6/8/2023 5:59 PM

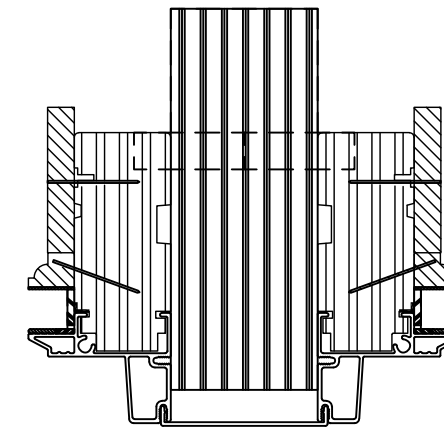
s:\projects\andersen windows\cc-23-0406 - fbc 2023 code change (8th edition)\124230\dwgs\awd208 - e-series specialty fixed window (non-hvhl)(non-impact).dwg

**MAXIMUM DESIGN PRESSURE CAPACITY CHART (PSF)
2" X 5-3/16" STRUCTURAL MULLION (TWO-WAY) CONFIGURATION**

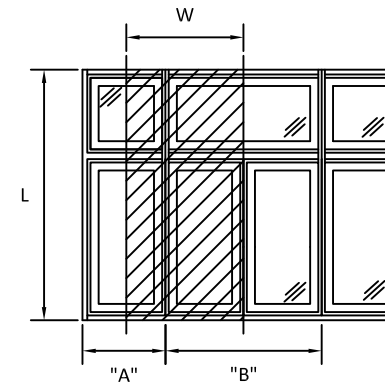
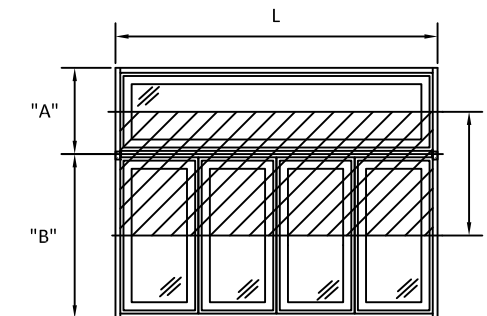
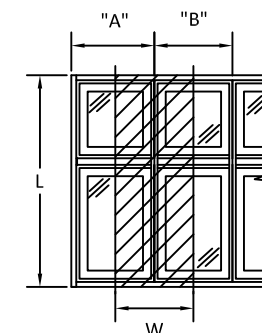
L - Mull Length (in)	W - Tributary Width (in)														
	24.0	36.0	48.0	60.0	72.0	84.0	96.0	108.0	120.0	132.0	144.0	156.0	168.0	180.0	192.0
24.0	75.00	75.00	75.00	75.00	75.00	66.86	58.50	52.00	46.80	42.55	39.00	36.00	33.43	31.20	29.25
30.0	75.00	75.00	75.00	74.88	62.40	53.49	46.80	41.60	37.44	34.04	31.20	28.80	26.74	24.96	23.40
36.0	75.00	75.00	75.00	62.40	52.00	44.57	39.00	34.67	31.20	28.36	26.00	24.00	22.29	20.80	19.50
42.0	75.00	75.00	66.86	53.49	44.57	38.20	33.43	29.71	26.74	24.31	22.29	20.57	19.10	17.83	16.71
48.0	75.00	75.00	58.50	46.80	39.00	33.43	29.25	26.00	23.40	21.27	19.50	18.00	16.71	15.60	14.63
54.0	75.00	69.33	52.00	41.60	34.67	29.71	26.00	23.11	20.80	18.91	17.33	16.00	14.86	13.87	13.00
60.0	75.00	62.40	46.80	37.44	31.20	26.74	23.40	20.80	18.72	17.02	15.60	14.40	13.37	12.48	11.70
66.0	75.00	56.73	42.55	34.04	28.36	24.31	21.27	18.91	17.02	15.47	14.18	13.09	12.16	11.35	10.64
72.0	75.00	52.00	39.00	31.20	26.00	22.29	19.50	17.33	15.60	14.18	13.00	12.00	11.14	10.40	9.75
78.0	72.00	48.00	36.00	28.80	24.00	20.57	18.00	16.00	14.40	13.09	12.00	11.08	10.29	9.60	9.00
84.0	66.86	44.57	33.43	26.74	22.29	19.10	16.71	14.86	13.37	12.16	11.14	10.29	9.55	8.91	8.36
90.0	62.40	41.60	31.20	24.96	20.80	17.83	15.60	13.87	12.48	11.35	10.40	9.60	8.91	8.32	7.80
96.0	58.50	39.00	29.25	23.40	19.50	16.71	14.63	13.00	11.70	10.64	9.75	9.00	8.36	7.80	7.31
102.0	55.06	36.71	27.53	22.02	18.35	15.73	13.76	12.24	11.01	10.01	9.18	8.47	7.87	7.34	6.88
108.0	52.00	34.67	26.00	20.80	17.33	14.86	13.00	11.56	10.40	9.45	8.67	8.00	7.43	6.93	6.50
114.0	49.26	32.84	24.63	19.71	16.42	14.08	12.32	10.95	9.85	8.96	8.21	7.58	7.04	6.57	6.16
120.0	46.80	31.20	23.40	18.72	15.60	13.37	11.70	10.40	9.36	8.51	7.80	7.20	6.69	6.24	5.85
126.0	44.57	29.71	22.29	17.83	14.86	12.73	11.14	9.90	8.91	8.10	7.43	6.86	6.37	5.94	5.57
132.0	42.55	28.36	21.27	17.02	14.18	12.16	10.64	9.45	8.51	7.74	7.09	6.55	6.08	5.67	5.32
138.0	40.70	27.13	20.35	16.28	13.57	11.63	10.17	9.04	8.14	7.40	6.78	6.26	5.81	5.43	5.09
144.0	39.00	26.00	19.50	15.60	13.00	11.14	9.75	8.67	7.80	7.09	6.50	6.00	5.57	5.20	4.88
150.0	37.44	24.96	18.72	14.98	12.48	10.70	9.36	8.32	7.49	6.81	6.24	5.76	5.35	4.99	4.68
156.0	34.89	23.26	17.45	13.96	11.63	9.97	8.72	7.75	6.98	6.34	5.82	5.37	4.98	4.65	4.36
162.0	31.16	20.77	15.58	12.46	10.39	8.90	7.79	6.92	6.23	5.66	5.19	4.79	4.45	4.15	3.89
168.0	27.94	18.62	13.97	11.17	9.31	7.98	6.98	6.21	5.59	5.08	4.66	4.30	3.99	3.72	3.49
174.0	25.15	16.76	12.57	10.06	8.38	7.18	6.29	5.59	5.03	4.57	4.19	3.87	3.59	3.35	3.14
180.0	22.71	15.14	11.36	9.09	7.57	6.49	5.68	5.05	4.54	4.13	3.79	3.49	3.24	3.03	2.84
186.0	20.59	13.72	10.29	8.23	6.86	5.88	5.15	4.57	4.12	3.74	3.43	3.17	2.94	2.74	2.57
192.0	18.72	12.48	9.36	7.49	6.24	5.35	4.68	4.16	3.74	3.40	3.12	2.88	2.67	2.50	2.34

NOTE:

- 1) MULLION CHART APPLIES TO 2" X 5 3/16" LVL MULL ASSEMBLIES, WHEN MULLED IN TWO-WAY CONFIGURATIONS.
- 2) DESIGN PRESSURE VALUES ARE POSITIVE AND NEGATIVE IN PSF.
- 3) MAXIMUM DEFLECTION HAS BEEN LIMITED TO L/175.
- 4) DESIGN PRESSURE OF ASSEMBLY IS LIMITED TO THE LESSER DESIGN PRESSURE OF THE MULLION ASSEMBLY OR THE INDIVIDUAL UNIT OF INSTALLATION. ADJACENT E-SERIES WINDOWS OR DOORS SHALL BE UNDER SEPARATE FL APPROVAL.
- 5) MULLION CHART APPLIES TO THE INSTALLATION CONDITIONS LISTED ON SHEET 10
- 6) TRIBUTARY WIDTH = $W = (A+B)/2$
- 7) WHEN WINDOWS ARE STACKED VERTICALLY, THE MANUFACTURER/INSTALLER SHALL ENSURE THAT THE WEIGHT OF UNITS ABOVE WILL NOT CAUSE DEFLECTIONS OR STRESSES WHICH WILL AFFECT OPERATION OR STRUCTURAL ADEQUACY OF UNITS BELOW.



**2" X 5 3/16"
LVL MULL PROFILE**



$$\frac{A+B}{2} = W$$



100 FOURTH AVE NORTH
BAYPORT, MN 55003-1096
PH: (651) 264-5150 FX: (651) 264-5485

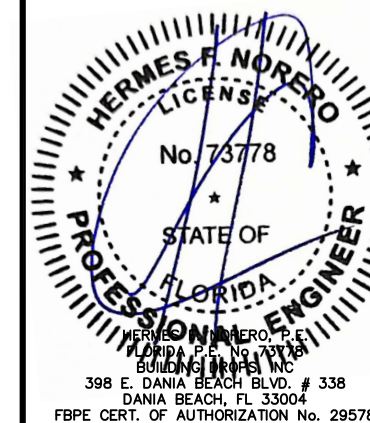
TITLE: E-SERIES SPECIALTY FIXED WINDOW
(NON-HVHZ) (NON-IMPACT)
2" X 5 3/16" MULLION LOADS TABLE -
TWO WAY

PREPARED BY:
BUILDING DROPS, INC.
398 E. DANIA BEACH BLVD., STE. 338
DANIA BEACH, FL 33004
PH: (954) 399-8478
FAX: (954) 744-4738
WEB: www.buildingdrops.com



REMARKS	BY	DATE
1/2" LVL MULL ADDITION	HR	4.3.19
ADDED MULL & DP CHARTS	LL	7.15.19
7TH FBC CODE CHANGE	NUS	6.28.20
2023 FBC CODE CHANGE	MS	5/31/23

THE INSTALLATION DETAILS DESCRIBED HEREIN ARE GENERIC AND MAY NOT REFLECT ACTUAL CONDITIONS FOR A SPECIFIC SITE. IF SITE CONDITIONS CAUSE INSTALLATION TO DEVIATE FROM THE REQUIREMENTS DETAILED HEREIN, A LICENSED ENGINEER OR ARCHITECT SHALL PREPARE SITE SPECIFIC DOCUMENTS FOR USE WITH THIS DOCUMENT.



FL #: **FL24230**

DATE: **10.12.17**

DWG. BY: **AG** CHK. BY: **HFN**

SCALE: **NTS**

DWG. #: **AWD208**

SHEET: **29**